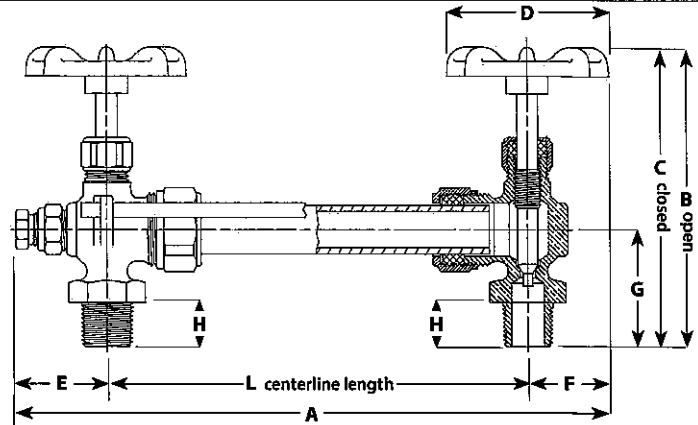


WATER GAUGES AND LIQUID LEVEL GAUGES

Dimensions

- A = Overall length is found by adding this to dimension "L"
- B = Valve open total depth
- C = Valve closed total depth
- D = Handle diameter
- E = Maximum extension below lower arm centerline
- F = Maximum extension above upper arm centerline
- G = End of arm NPT to centerline of glass
- H = End of arm NPT to hex shoulder
- L = Centerline Length

Glass Length is "L" minus GL code
 Rod Length is glass length plus RL code



Valve	Pipe Size	A	B	C	D	E	F	G	H	Default L	Default Glass Length	GL Code	RL Code
20-101	3/8	2.3	4.1	3.8	2.1	1.25	1.07	1.50	0.56	11.25	10	1.25	2
20-102	3/8	2.3	4.3	4.1	2.0	1.25	1.00	1.50	0.56	11.25	10	1.25	2
20-104	1/2	2.3	4.2	3.9	2.1	1.25	1.07	1.63	0.69	13.25	12	1.25	2
20LF-104	1/2	2.3	4.2	3.9	2.1	1.25	1.07	1.63	0.69	13.25	12	1.25	2
20-105	1/2	2.3	4.4	4.2	2.0	1.25	1.00	1.63	0.69	13.25	12	1.25	2
20LF-105	1/2	2.3	4.4	4.2	2.0	1.25	1.00	1.63	0.69	13.25	12	1.25	2
20-150*	1/2	2.3	4.2	3.9	2.1	1.25	1.07	1.63	0.69	13.25	12	1.25	2
20-151*	1/2	2.3	4.4	4.2	2.0	1.25	1.00	1.63	0.69	13.25	12	1.25	2
20-201	3/8	2.4	4.4	4.2	2.1	1.38	1.07	1.69	0.56	11.25	10	1.25	2
20-202	3/8	2.4	4.4	4.1	2.0	1.38	1.00	1.69	0.56	11.25	10	1.25	2
20-204	1/2	2.4	4.6	4.3	2.1	1.38	1.07	1.81	0.69	13.25	12	1.25	2
20-205	1/2	2.4	4.5	4.3	2.0	1.38	1.00	1.81	0.69	13.25	12	1.25	2
20-207	3/4	2.4	4.9	4.6	2.1	1.38	1.07	2.05	0.75	17.50	16	1.50	2.25
20-208	3/4	2.4	5.1	4.8	2.0	1.38	1.00	2.05	0.75	17.5	16	1.50	2.25
20-250	1/2	2.4	4.6	4.3	2.1	1.38	1.07	1.81	0.69	13.25	12	1.25	2
20-251*	1/2	2.4	4.5	4.3	2.0	1.38	1.00	1.81	0.69	13.25	12	1.25	2
20-253*	3/4	2.4	4.9	4.6	2.1	1.38	1.07	2.05	0.75	17.50	16	1.50	2.25
20-254*	3/4	2.4	5.1	4.8	2.0	1.38	1.00	2.05	0.75	17.50	16	1.50	2.25
20-304	1/2	2.3	5.3	5.1	2.1	1.25	1.07	2.20	0.69	14	12	2.00	1.25
20-305	1/2	2.3	5.5	5.3	2.0	1.25	1.00	2.20	0.69	14	12	2.00	1.25
20-307	3/4	2.3	5.0	5.4	2.1	1.25	1.07	2.06	0.69	18	16	2.00	1.25
20-308	3/4	2.3	5.4	5.0	2.0	1.25	1.00	2.06	0.69	18	16	2.00	1.25
20-350*	1/2	2.3	5.3	5.1	2.1	1.25	1.07	2.20	0.69	14	12	2.00	1.25
20-351*	1/2	2.3	5.5	5.3	2.0	1.25	1.00	2.20	0.69	14	12	2.00	1.25
20-353*	3/4	2.3	5.0	5.4	2.1	1.25	1.07	2.06	0.69	18	16	2.00	1.25
20-354*	3/4	2.3	5.4	5.0	2.0	1.25	1.00	2.06	0.69	18	16	2.00	1.25
20-410	1/2	2.3	2.1	1.9	1.8	1.42	0.86	2.09	1.25	13.25	12	1.25	NA
20-601	1/2	4.2	5.3	4.8	5.9	1.25	2.94	2.09	0.69	14	12	2.00	1.25
20-602	3/4	4.2	5.3	4.8	5.9	1.25	2.94	2.09	0.69	18	16	2.00	1.25
20-604*	1/2	2.1	4.6	4.3	2.1	1.38	0.69	1.81	0.69	13.25	12	1.25	2
20-605*	1/2	2.1	4.5	4.3	2.0	1.38	0.69	1.81	0.69	13.25	12	1.25	2
20-703	3/8	1.8	NA	NA	NA	1.25	0.53	1.50	0.56	11.25	10	1.25	2
20-704	1/2	1.8	NA	NA	NA	1.25	0.53	1.63	0.69	13.25	12	1.25	2
20-804*	1/2	2.1	4.6	4.3	2.1	1.38	0.75	1.81	0.69	13.25	12	1.25	2
20-805*	1/2	2.1	4.5	4.3	2.0	1.38	0.75	1.81	0.69	13.25	12	1.25	2
21-104	1/2	2.3	5.3	5.1	2.1	1.25	1.07	2.69	1.75	13.25	12	1.25	2
21-105	1/2	2.3	5.5	5.3	2.0	1.25	1.00	2.69	1.75	13.25	12	1.25	2

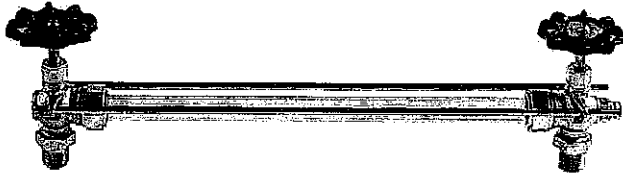
NSF/ANSI 372 Lead Free

www.apollovalves.com



WATER GAUGES AND LIQUID LEVEL GAUGES

ROUGH BRONZE WATER GAUGES



Series No.	Rating (subject to limitation of gauge glass)
20-100/20LF-100	125 psig @ 350°F, 300 psig @ 100°F
20-150	125 psig @ 350°F, 300 psig @ 100°F
20-200	200 psig @ 400°F, 400 psig @ 100°F
20-250	200 psig @ 400°F, 400 psig @ 100°F
20-300	200 psig @ 400°F, 400 psig @ 100°F
20-350	200 psig @ 400°F, 400 psig @ 100°F
20-410	125 psig @ 350°F, 300 psig @ 100°F
20-601, 602	250 psig @ 400°F, 500 psig @ 100°F
20-604, 605	200 psig @ 400°F, 400 psig @ 100°F
20-700	125 psig @ 350°F, 300 psig @ 100°F
20-100	200 psig @ 400°F, 400 psig @ 100°F

Series No.	Pipe Size	Standard Glass O.D. & Length	Glass Seal	Stem Packing	Standard Glass Type	Handle	Wt./100
20-101-00	3/8	5/8 x 10	EPDM Rubber	Teflon®	Regular	Aluminum	145
20-102-00	3/8	5/8 x 10	EPDM Rubber	Teflon®	Regular	Composite	145
20-104-00	1/2	5/8 x 12	EPDM Rubber	Teflon®	Regular	Aluminum	160
20LF-104-00	1/2	5/8 x 12	EPDM Rubber	Teflon®	Regular	Aluminum	160
20-105-00	1/2	5/8 x 12	EPDM Rubber	Teflon®	Regular	Composite	160
20LF-105-00	1/2	5/8 x 12	EPDM Rubber	Teflon®	Regular	Composite	160
20-150-00*	1/2	5/8 x 12	EPDM Rubber	Teflon®	Regular	Aluminum	160
20-151-00*	1/2	5/8 x 12	EPDM Rubber	Teflon®	Regular	Composite	160
20-201-00	3/8	5/8 x 10	EPDM Rubber	Teflon®	Regular	Aluminum	185
20-202-00	3/8	5/8 x 10	EPDM Rubber	Teflon®	Regular	Composite	189
20-204-00	1/2	5/8 x 12	EPDM Rubber	Teflon®	Regular	Aluminum	205
20-205-00	1/2	5/8 x 12	EPDM Rubber	Teflon®	Regular	Composite	205
20-207-00	3/4	3/4 x 16	EPDM Rubber	Teflon®	Regular	Aluminum	270
20-208-00	3/4	3/4 x 16	EPDM Rubber	Teflon®	Regular	Composite	270
20-250-00*	1/2	5/8 x 12	EPDM Rubber	Teflon®	Regular	Aluminum	195
20-251-00*	1/2	5/8 x 12	EPDM Rubber	Teflon®	Regular	Composite	200
20-253-00*	3/4	3/4 x 16	EPDM Rubber	Teflon®	Regular	Aluminum	355
20-254-00*	3/4	3/4 x 16	EPDM Rubber	Teflon®	Regular	Composite	360
20-304-00	1/2	5/8 x 12	EPDM Rubber	Teflon®	Regular	Aluminum	260
20-305-00	1/2	5/8 x 12	EPDM Rubber	Teflon®	Regular	Composite	270
20-307-00	3/4	3/4 x 16	EPDM Rubber	Teflon®	Regular	Aluminum	345
20-308-00	3/4	3/4 x 16	EPDM Rubber	Teflon®	Regular	Composite	365
20-350-00*	1/2	5/8 x 12	EPDM Rubber	Teflon®	Regular	Aluminum	265
20-351-00*	1/2	5/8 x 12	EPDM Rubber	Teflon®	Regular	Composite	265
20-353-00*	3/4	3/4 x 16	EPDM Rubber	Teflon®	Regular	Aluminum	360
20-354-00*	3/4	3/4 x 16	EPDM Rubber	Teflon®	Regular	Composite	365
20-410-00 (LH)	1/2	5/8 x 12	EPDM Rubber	Teflon®	Regular	Aluminum	180
20-601-00	1/2	5/8 x 12	EPDM Rubber	Teflon®	Regular	Chain	370
20-602-00	3/4	3/4 x 16	EPDM Rubber	Teflon®	Regular	Chain	435
20-604-00*	1/2	5/8 x 12	EPDM Rubber	Teflon®	Regular	Aluminum	155
20-605-00*	1/2	5/8 x 12	EPDM Rubber	Teflon®	Regular	Composite	175
20-703-00	3/8	5/8 x 10	EPDM Rubber	N/A	Regular	N/A	120
20-704-00	1/2	5/8 x 12	EPDM Rubber	N/A	Regular	N/A	135
20-804-00*	1/2	5/8 x 12	EPDM Rubber	Teflon®	Regular	Aluminum	160
20-805-00*	1/2	5/8 x 12	EPDM Rubber	Teflon®	Regular	Composite	160

* Automatic

Teflon® is a registered trademark of DuPont.

NSF/ANSI 372 Lead Free