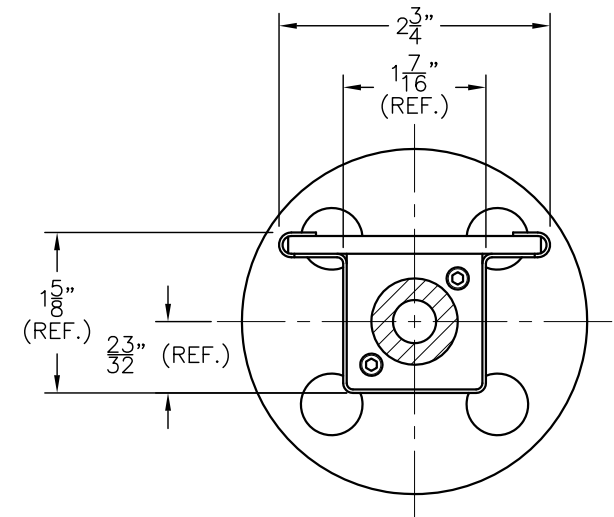
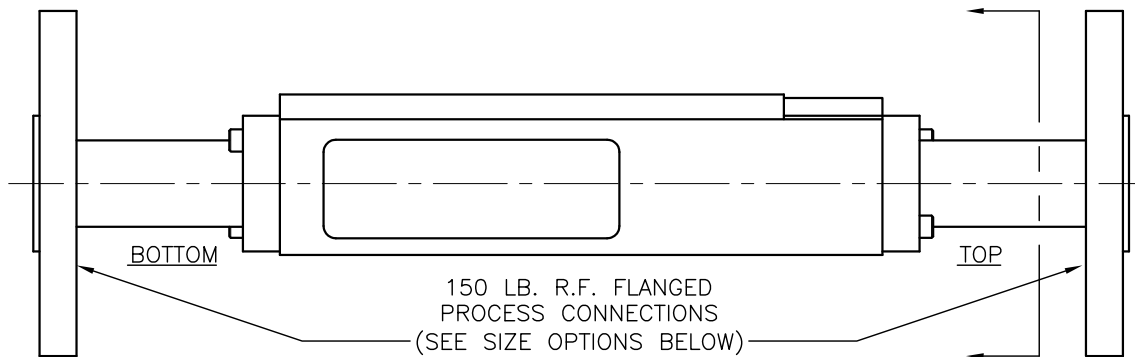


WETTED MATERIALS:

- ZINC PLATED C.S. OR 316/316L S.S. PROCESS CONNECTIONS
- SIGHT TUBE
- SIGHT TUBE O-RING SEALS
- SIGHT TUBE SPLICER BODY (IF APPLICABLE)
- TEFLON CUSHION(S) IN SIGHT TUBE SPLICERS (IF APPLICABLE)

*GAUGE FRAME LENGTH NOTE:

FRAME LENGTHS GREATER THAN 96" ARE EQUIPPED WITH MOUNTING PLATES



GAUGE MODEL NUMBER / PROCESS CONNECTION SIZE:

- 57FL50 (1/2" 150 LB. R.F. PIPE FLANGE)
- 57FL75 (3/4" 150 LB. R.F. PIPE FLANGE)
- 57FL10 (1" 150 LB. R.F. PIPE FLANGE)
- 57FL15 (1-1/2" 150 LB. R.F. PIPE FLANGE)
- 57FL20 (2" 150 LB. R.F. PIPE FLANGE)

REV.	DATE	BY	CHKD.	ECN	EXPLANATION:
A	03-22-05	DS		N/A	REDRAWN; RESEQUENCED BILL
B	02-20-12	PAS	DS	000133	ADDED SHEET 2; ADDED ORDERING GUIDE NOTE TO SHEET 2

INFORMATION IS PROPRIETARY TO KENCO ENGINEERING CO.

TOLERANCES UNLESS OTHERWISE SPECIFIED

DECIMAL: ±.005" FRACTIONAL: ±1/64" ANGULAR: ±1/2°

KENCO ENGINEERING COMPANY
TULSA, OKLAHOMA

GAUGE, BULK TANK MODEL 5700 METAL SERIES
WITH 150 LB. R.F. FLANGED PROCESS
CONNECTIONS

DATE: 08-27-03	SHEET: 1 OF 2	DRAWING NUMBER
DRN. BY: DS	CHKD. BY: KI	C-45388
SCALE: NONE	REVISION: B	