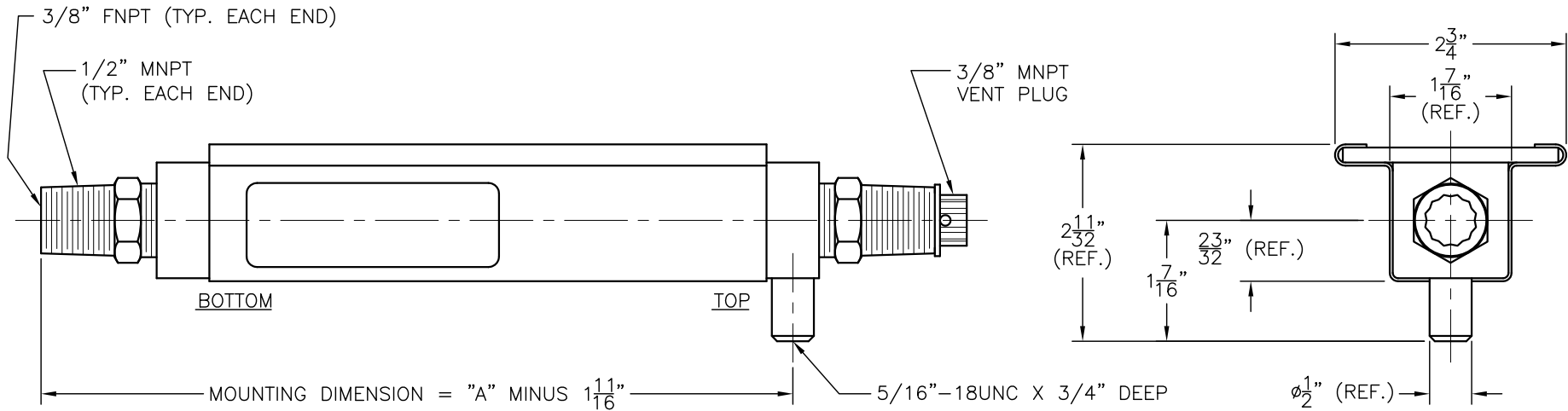
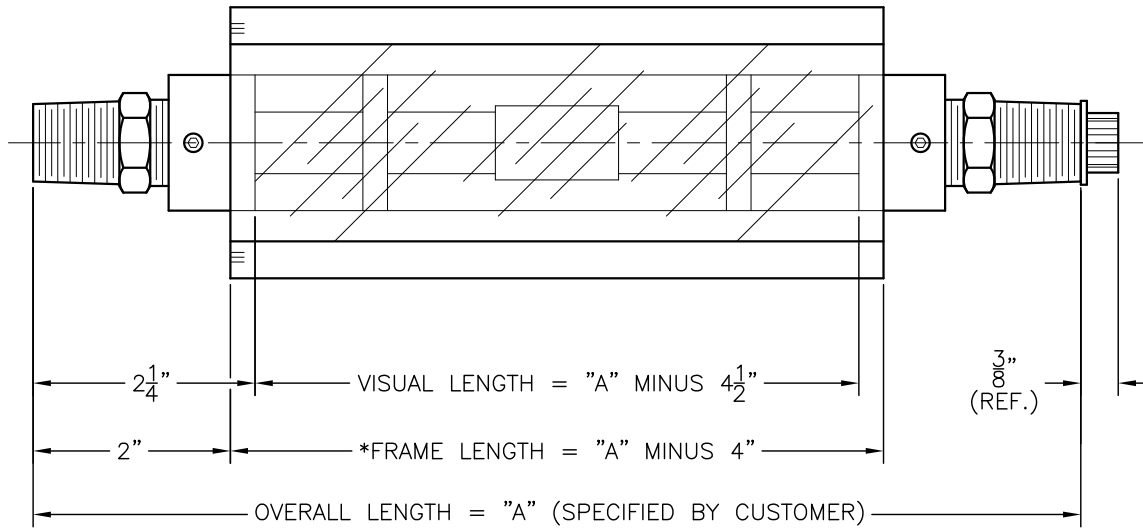


WETTED MATERIALS:

- ZINC PLATED C.S. OR 316 S.S. PROCESS CONNECTIONS
- SIGHT TUBE
- SIGHT TUBE SEALS
- SIGHT TUBE SPLICER BODY (IF APPLICABLE)
- TEFLON CUSHION IN LOW PRESSURE SIGHT TUBE SPLICER (IF APPLICABLE)

\*GAUGE FRAME LENGTH NOTE:

FRAME LENGTHS GREATER THAN 96" ARE EQUIPPED WITH MOUNTING PLATES



INFORMATION IS PROPRIETARY TO KENCO ENGINEERING CO.

TOLERANCES UNLESS OTHERWISE SPECIFIED

DECIMAL: ±.005" FRACTIONAL: ±1/64" ANGULAR: ±1/2°

REV.	DATE	BY	CHKD.	ECN	EXPLANATION:
M	03-21-05	DS		N/A	REDRAWN: WAS HAND DWG.; RESEQUENCED
					BOM: ITEM 2 P/N WAS A-27940, REMOVED
					RETAINER WIRE P/N P-15759
N	02-10-12	PAS	DS	000133	ADDED SHEET 2; ADDED ORDERING GUIDE
					NOTE TO SHEET 2

<b>KENCO ENGINEERING COMPANY</b> TULSA, OKLAHOMA		
DATE: 03-07-90	SHEET: 1 OF 2	DRAWING NUMBER
DRN. BY: RC	CHKD. BY:	C-5700
SCALE: NONE	REVISION: N	