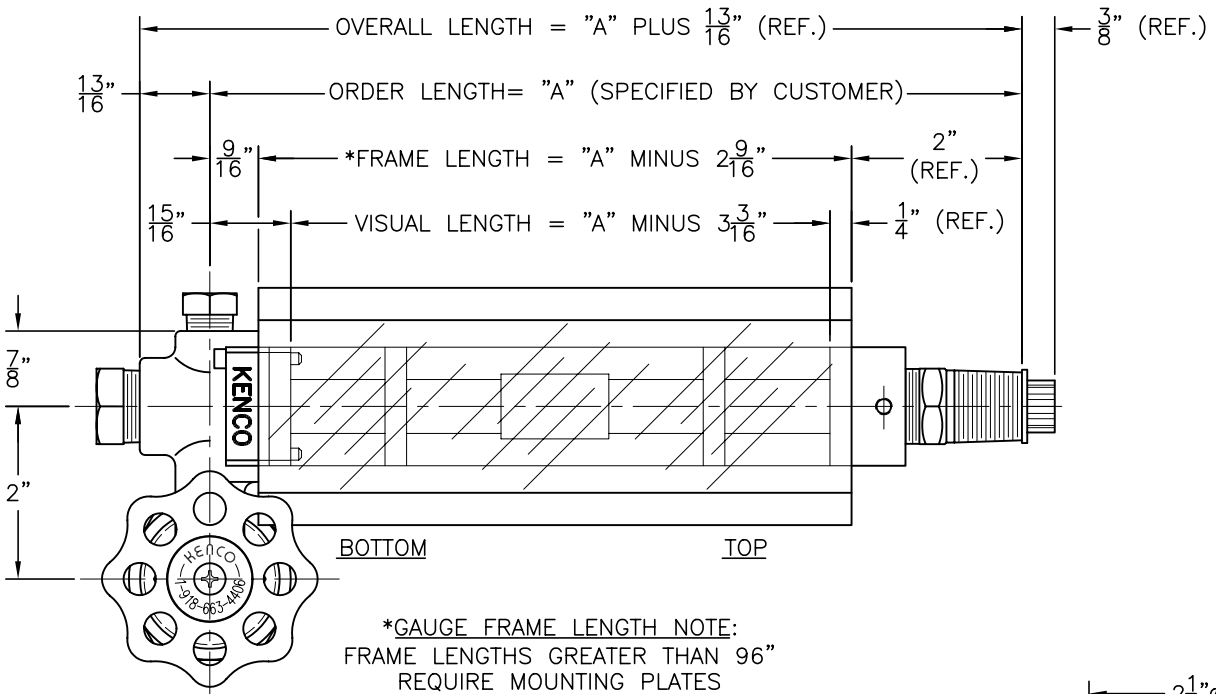
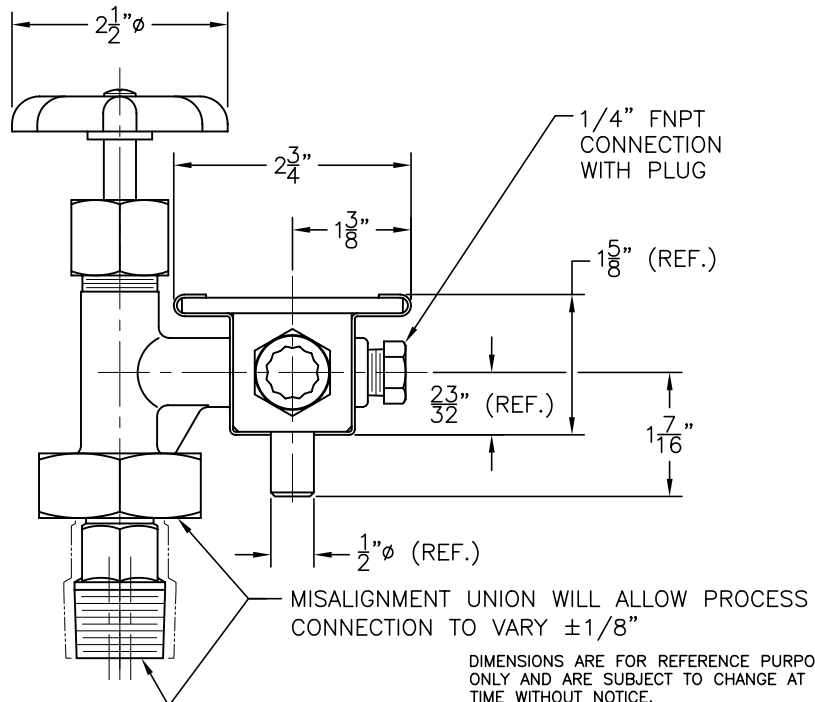
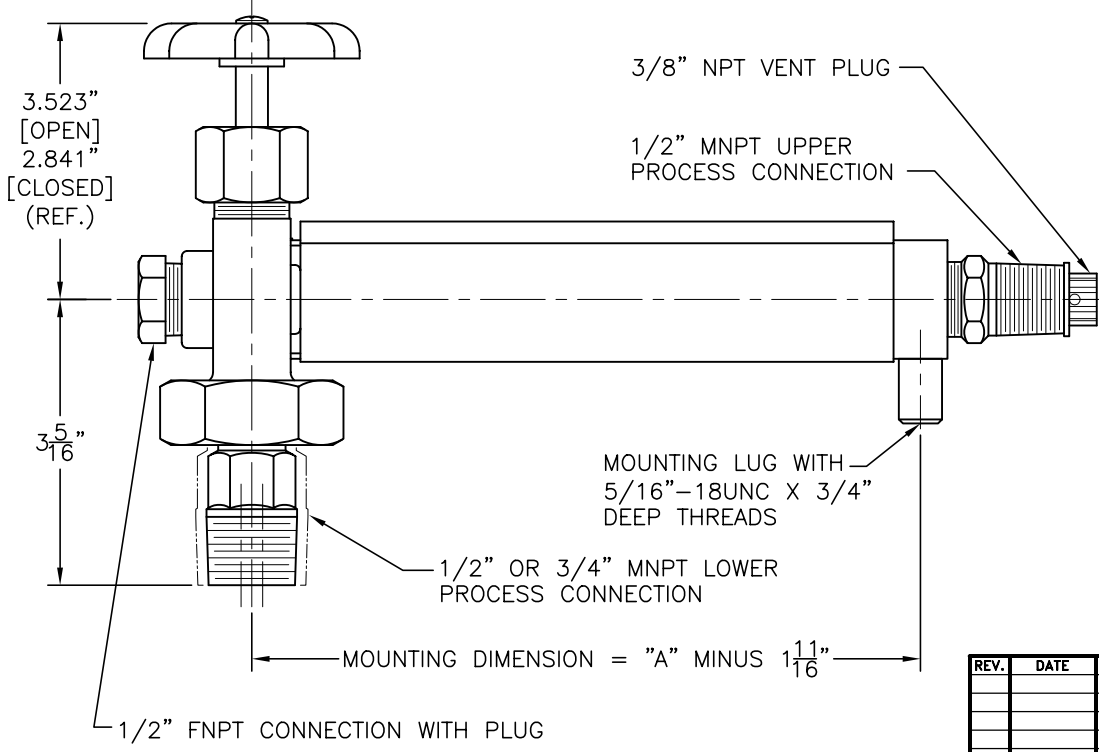


MODEL K9957



*GAUGE FRAME LENGTH NOTE:
FRAME LENGTHS GREATER THAN 96"
REQUIRE MOUNTING PLATES



DIMENSIONS ARE FOR REFERENCE PURPOSES ONLY AND ARE SUBJECT TO CHANGE AT ANY TIME WITHOUT NOTICE.
COPYRIGHT © 2003-KENCO INTERNATIONAL, INC.-ALL RIGHTS RESERVED

REV.	DATE	BY	ECN	EXPLANATION:	KENCO ENGINEERING COMPANY	
					GAUGE, BULK TANK (OUTLINE DRAWING) MODEL K9957 SERIES WITH NPT MALE PROCESS CONNECTIONS	
					DATE: 06-18-03	SHEET: 1 OF 1
					DRN. BY: KI	CHKD. BY: DS
					SCALE: 7/8"=1"	REVISION:
						DRAWING NUMBER C-45459