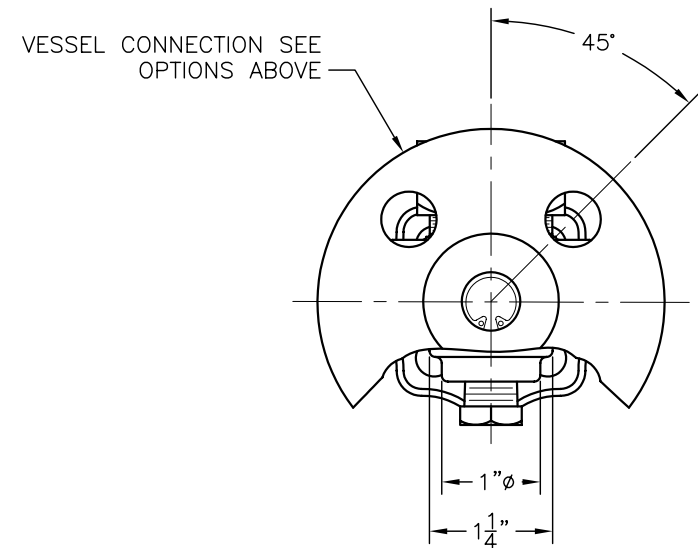
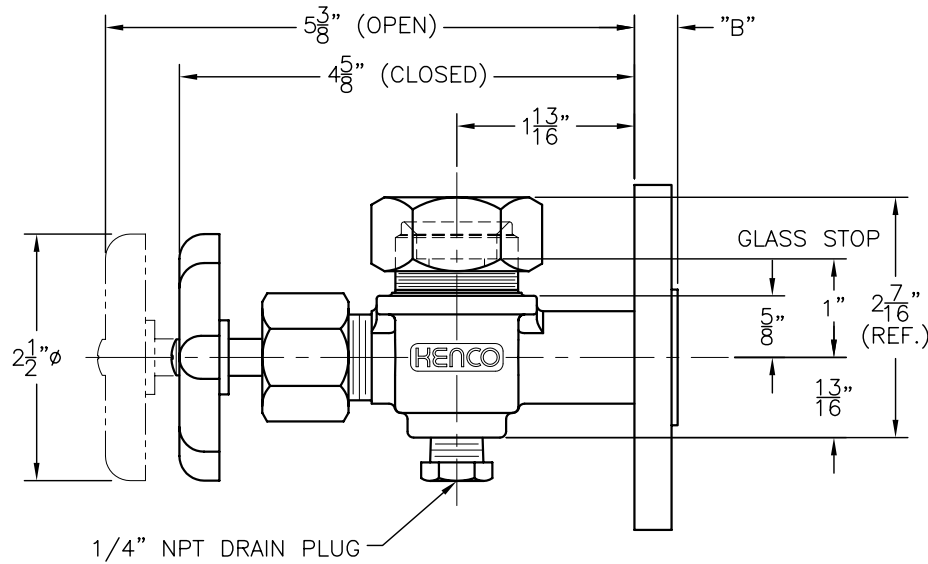


ASSEMBLY NUMBER	VESSEL CONNECTION FLANGE SIZE	"A"	"B"
C-51061	1/2" 150 LB. R.F.	3-1/2"	7/16"
C-51062	3/4" 150 LB. R.F.	3-7/8"	1/2"
C-51063	1" 150 LB. R.F.	4-1/4"	9/16"
C-51064	1-1/2" 150 LB. R.F.	5"	11/16"
C-51065	2" 150 LB. R.F.	6"	3/4"
C-51066	1/2" 300 LB. R.F.	3-3/4"	9/16"
C-51067	3/4" 300 LB. R.F.	4-5/8"	5/8"
C-51068	1" 300 LB. R.F.	4-7/8"	11/16"
C-51069	1-1/2" 300 LB. R.F.	6-1/8"	13/16"



VALVE BODY MATERIAL:  
ADD SUFFIX "-CS" OR "-SS" TO ASSEMBLY NUMBER TO DESIGNATE MATERIALS OF CONSTRUCTION.

"-CS" (DESIGNATES ZINC PLATED CARBON STEEL)  
"-SS" (DESIGNATES 316 STAINLESS STEEL)

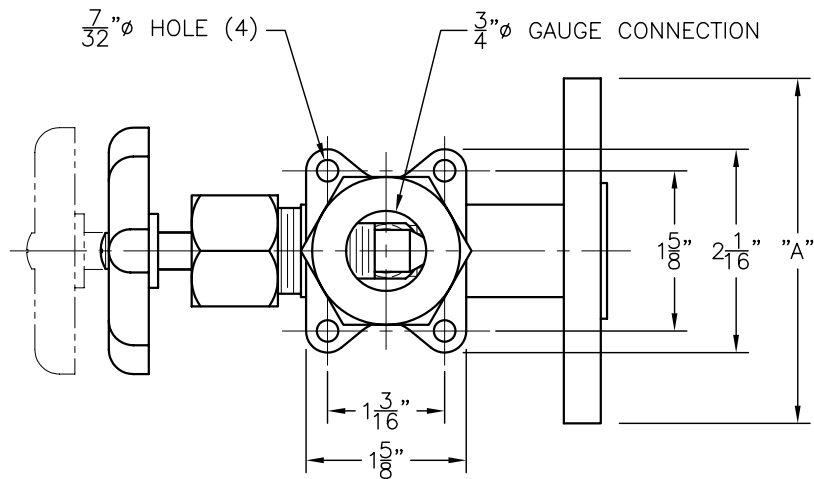
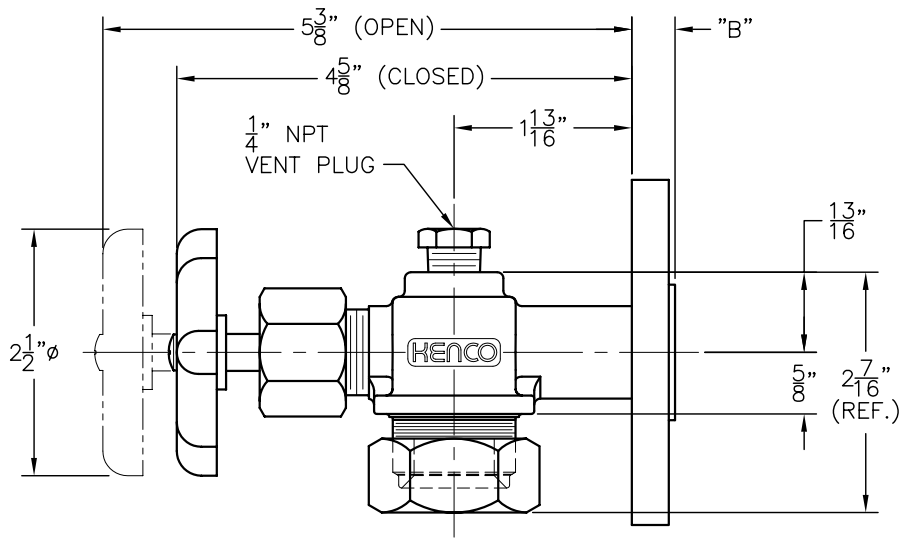
VALVE STEM PACKING MATERIAL: PTFE

GAUGE CONNECTION SEAL MATERIAL: SPECIFIED BY CUSTOMER

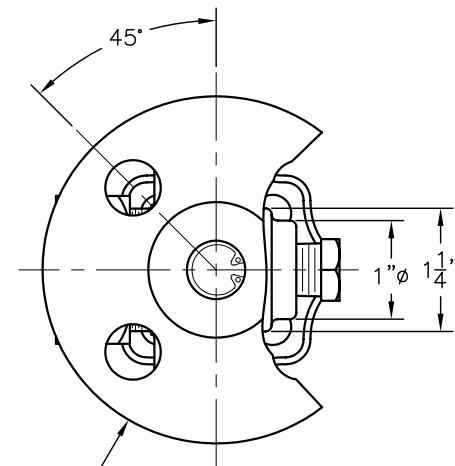
INFORMATION IS PROPRIETARY TO KENCO ENGINEERING CO.

REV.	DATE	BY	ECN	EXPLANATION:

<b>KENCO ENGINEERING COMPANY</b> TULSA, OKLAHOMA		
VALVE, GAUGE GLASS (LOWER) WITH 3/4" GAUGE CONN., FLANGED VESSEL CONN. AND BALL CHECK SHUTOFF		
DATE: 12-18-06	SHEET: 1 OF 2	DRAWING NUMBER
DRN. BY: DS	CHKD. BY: BC	C-51061
SCALE: NONE	REVISION:	51069



ASSEMBLY NUMBER	VESSEL CONNECTION FLANGE SIZE	"A"	"B"
C-51110	1/2" 150 LB. R.F.	3-1/2"	7/16"
C-51111	3/4" 150 LB. R.F.	3-7/8"	1/2"
C-51112	1" 150 LB. R.F.	4-1/4"	9/16"
C-51113	1-1/2" 150 LB. R.F.	5"	11/16"
C-51114	2" 150 LB. R.F.	6"	3/4"
C-51115	1/2" 300 LB. R.F.	3-3/4"	9/16"
C-51116	3/4" 300 LB. R.F.	4-5/8"	5/8"
C-51117	1" 300 LB. R.F.	4-7/8"	11/16"
C-51118	1-1/2" 300 LB. R.F.	6-1/8"	13/16"



VESSEL CONNECTION  
SEE OPTIONS ABOVE

VALVE BODY MATERIAL:  
ADD SUFFIX "-CS" OR "-SS" TO ASSEMBLY NUMBER TO DESIGNATE MATERIALS OF CONSTRUCTION.

"-CS" (DESIGNATES ZINC PLATED CARBON STEEL)  
"-SS" (DESIGNATES 316 STAINLESS STEEL)

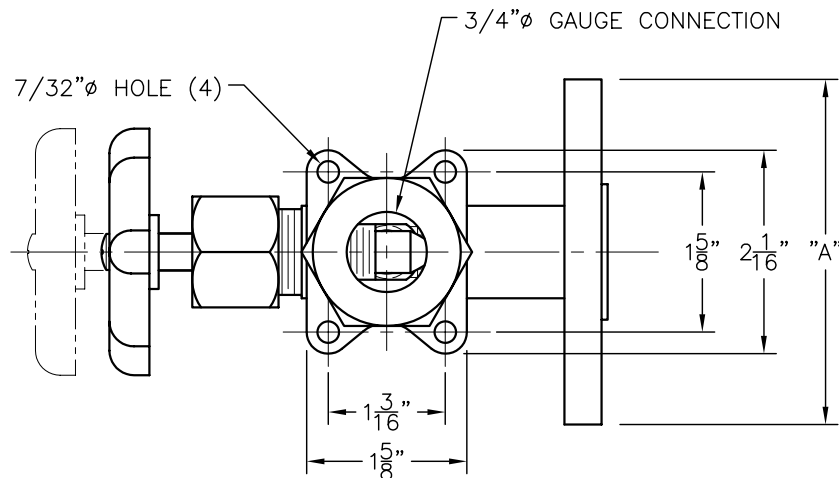
VALVE STEM PACKING MATERIAL: PTFE

GAUGE CONNECTION SEAL MATERIAL: SPECIFIED BY CUSTOMER

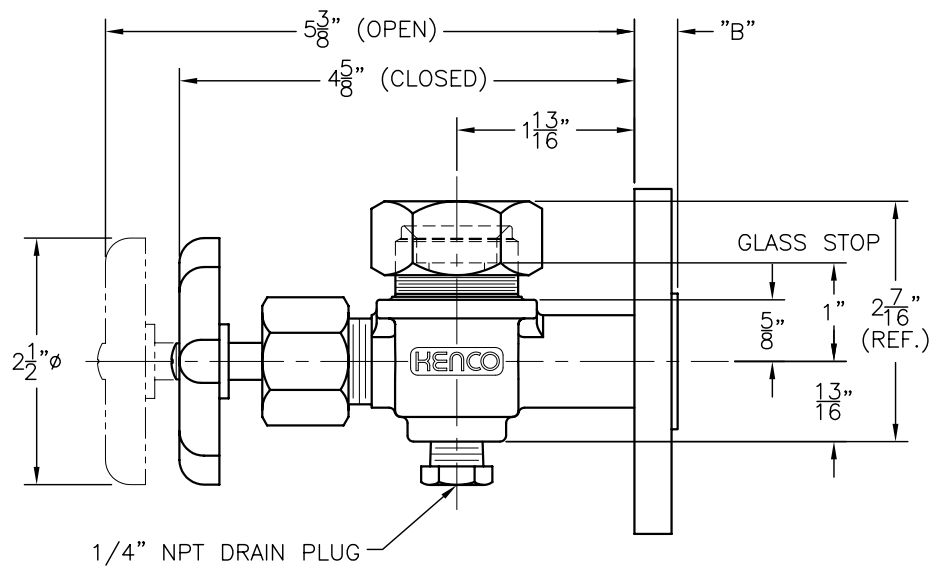
INFORMATION IS PROPRIETARY TO KENCO ENGINEERING CO.

REV.	DATE	BY	ECN	EXPLANATION:

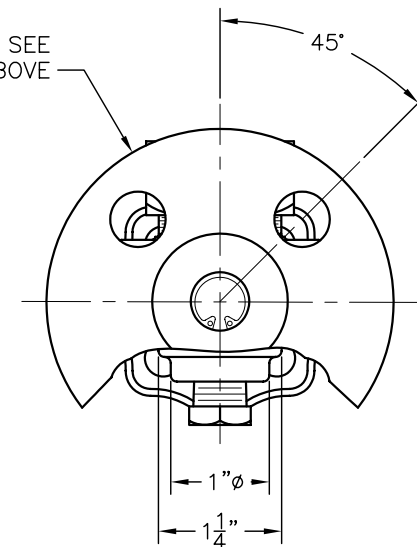
<b>KENCO ENGINEERING COMPANY</b> TULSA, OKLAHOMA			
VALVE, GAUGE GLASS (UPPER) WITH 3/4" GAUGE CONN., FLANGED VESSEL CONN. AND BALL CHECK SHUTOFF			
DATE: 12-18-06	SHEET: 1 OF 2	DRAWING NUMBER	
DRN. BY: DS	CHKD. BY: BC	C-51110	
SCALE: NONE	REVISION:	51118	



ASSEMBLY NUMBER	VESSEL CONNECTION FLANGE SIZE	"A"	"B"
C-51061	1/2" 150 LB. R.F.	3-1/2"	7/16"
C-51062	3/4" 150 LB. R.F.	3-7/8"	1/2"
C-51063	1" 150 LB. R.F.	4-1/4"	9/16"
C-51064	1-1/2" 150 LB. R.F.	5"	11/16"
C-51065	2" 150 LB. R.F.	6"	3/4"
C-51066	1/2" 300 LB. R.F.	3-3/4"	9/16"
C-51067	3/4" 300 LB. R.F.	4-5/8"	5/8"
C-51068	1" 300 LB. R.F.	4-7/8"	11/16"
C-51069	1-1/2" 300 LB. R.F.	6-1/8"	13/16"



VESSEL CONNECTION SEE OPTIONS ABOVE



VALVE BODY MATERIAL:  
ADD SUFFIX "-CS" OR "-SS" TO ASSEMBLY NUMBER TO DESIGNATE MATERIALS OF CONSTRUCTION.

"-CS" (DESIGNATES ZINC PLATED CARBON STEEL)  
"-SS" (DESIGNATES 316 STAINLESS STEEL)

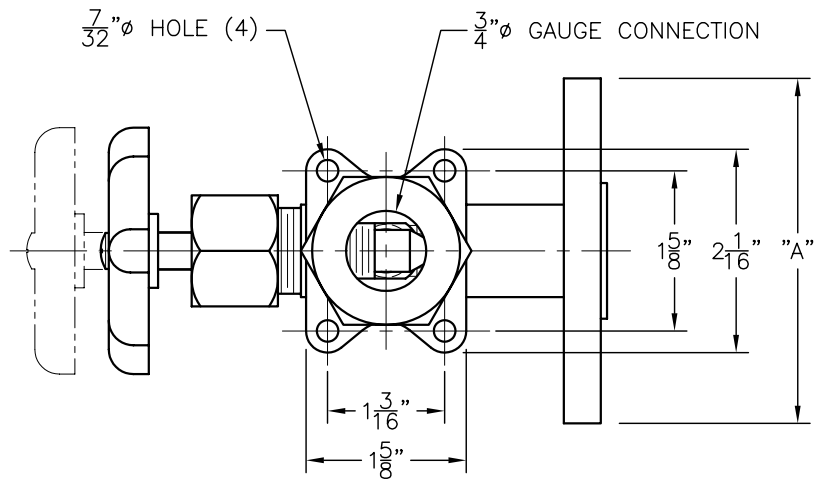
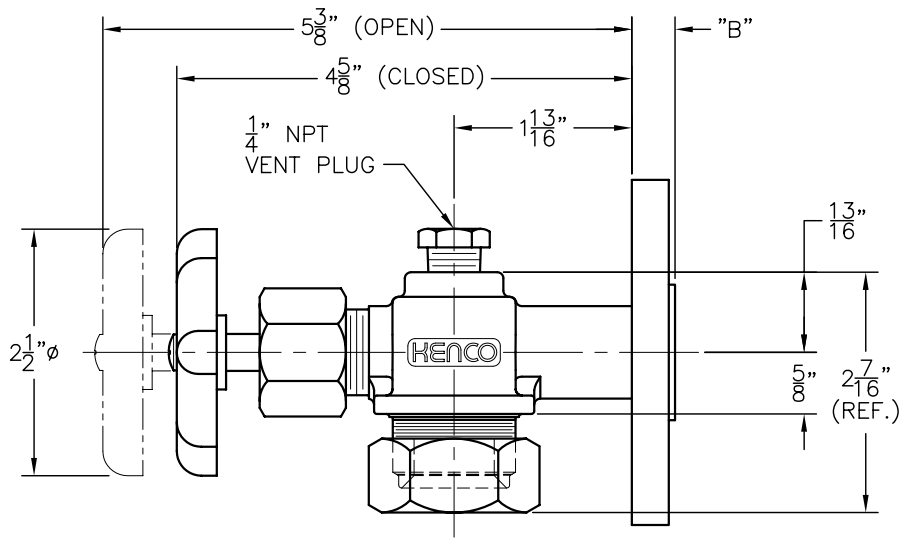
VALVE STEM PACKING MATERIAL: PTFE

GAUGE CONNECTION SEAL MATERIAL: SPECIFIED BY CUSTOMER

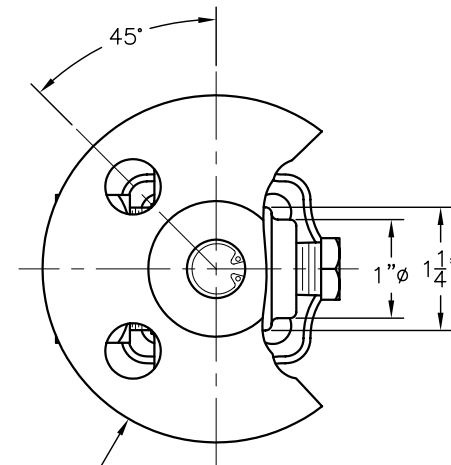
INFORMATION IS PROPRIETARY TO KENCO ENGINEERING CO.

REV.	DATE	BY	ECN	EXPLANATION:

<b>KENCO ENGINEERING COMPANY</b> TULSA, OKLAHOMA		
VALVE, GAUGE GLASS (LOWER) WITH 3/4" GAUGE CONN., FLANGED VESSEL CONN. AND BALL CHECK SHUTOFF		
DATE: 12-18-06	SHEET: 1 OF 2	DRAWING NUMBER
DRN. BY: DS	CHKD. BY: BC	C-51061
SCALE: NONE	REVISION:	51069



ASSEMBLY NUMBER	VESSEL CONNECTION FLANGE SIZE	"A"	"B"
C-51110	1/2" 150 LB. R.F.	3-1/2"	7/16"
C-51111	3/4" 150 LB. R.F.	3-7/8"	1/2"
C-51112	1" 150 LB. R.F.	4-1/4"	9/16"
C-51113	1-1/2" 150 LB. R.F.	5"	11/16"
C-51114	2" 150 LB. R.F.	6"	3/4"
C-51115	1/2" 300 LB. R.F.	3-3/4"	9/16"
C-51116	3/4" 300 LB. R.F.	4-5/8"	5/8"
C-51117	1" 300 LB. R.F.	4-7/8"	11/16"
C-51118	1-1/2" 300 LB. R.F.	6-1/8"	13/16"



VESSEL CONNECTION  
SEE OPTIONS ABOVE

VALVE BODY MATERIAL:  
ADD SUFFIX "-CS" OR "-SS" TO ASSEMBLY NUMBER TO DESIGNATE MATERIALS OF CONSTRUCTION.

"-CS" (DESIGNATES ZINC PLATED CARBON STEEL)  
"-SS" (DESIGNATES 316 STAINLESS STEEL)

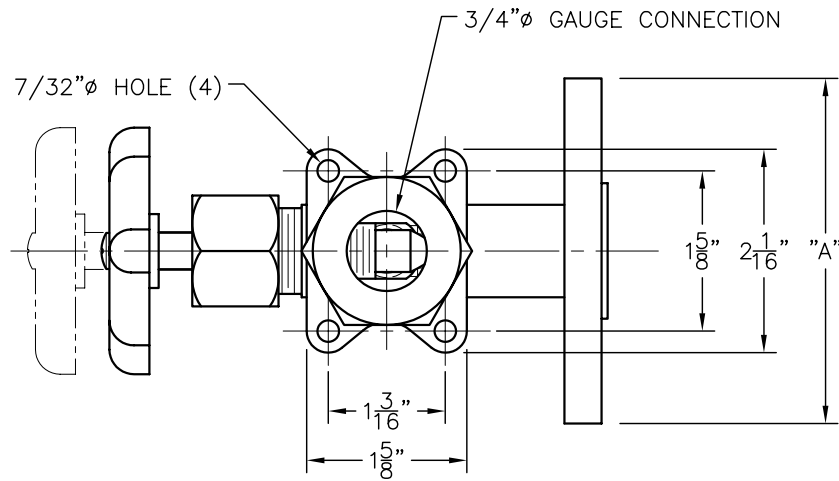
VALVE STEM PACKING MATERIAL: PTFE

GAUGE CONNECTION SEAL MATERIAL: SPECIFIED BY CUSTOMER

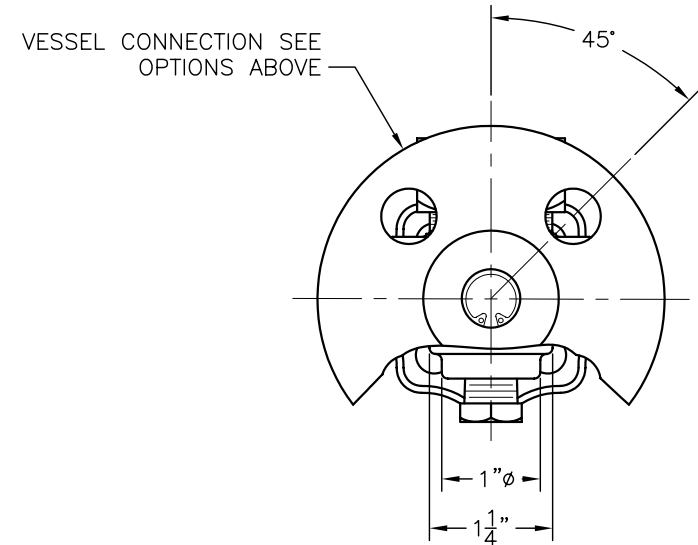
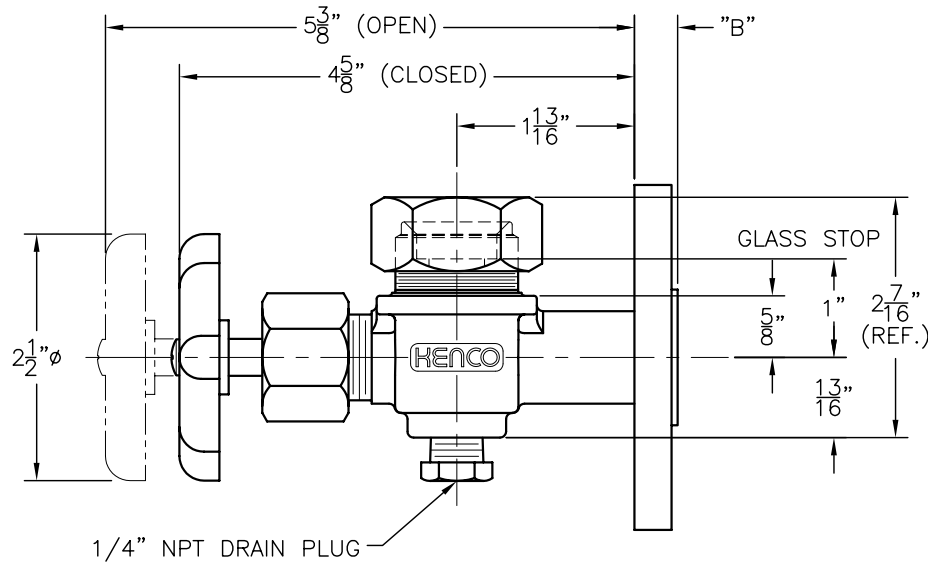
INFORMATION IS PROPRIETARY TO KENCO ENGINEERING CO.

REV.	DATE	BY	ECN	EXPLANATION:

<b>KENCO ENGINEERING COMPANY</b> TULSA, OKLAHOMA			
VALVE, GAUGE GLASS (UPPER) WITH 3/4" GAUGE CONN., FLANGED VESSEL CONN. AND BALL CHECK SHUTOFF			
DATE: 12-18-06	SHEET: 1 OF 2	DRAWING NUMBER	
DRN. BY: DS	CHKD. BY: BC	C-51110	
SCALE: NONE	REVISION:	51118	



ASSEMBLY NUMBER	VESSEL CONNECTION FLANGE SIZE	"A"	"B"
C-51061	1/2" 150 LB. R.F.	3-1/2"	7/16"
C-51062	3/4" 150 LB. R.F.	3-7/8"	1/2"
C-51063	1" 150 LB. R.F.	4-1/4"	9/16"
C-51064	1-1/2" 150 LB. R.F.	5"	11/16"
C-51065	2" 150 LB. R.F.	6"	3/4"
C-51066	1/2" 300 LB. R.F.	3-3/4"	9/16"
C-51067	3/4" 300 LB. R.F.	4-5/8"	5/8"
C-51068	1" 300 LB. R.F.	4-7/8"	11/16"
C-51069	1-1/2" 300 LB. R.F.	6-1/8"	13/16"



VALVE BODY MATERIAL:  
ADD SUFFIX "-CS" OR "-SS" TO ASSEMBLY NUMBER TO DESIGNATE MATERIALS OF CONSTRUCTION.

"-CS" (DESIGNATES ZINC PLATED CARBON STEEL)  
"-SS" (DESIGNATES 316 STAINLESS STEEL)

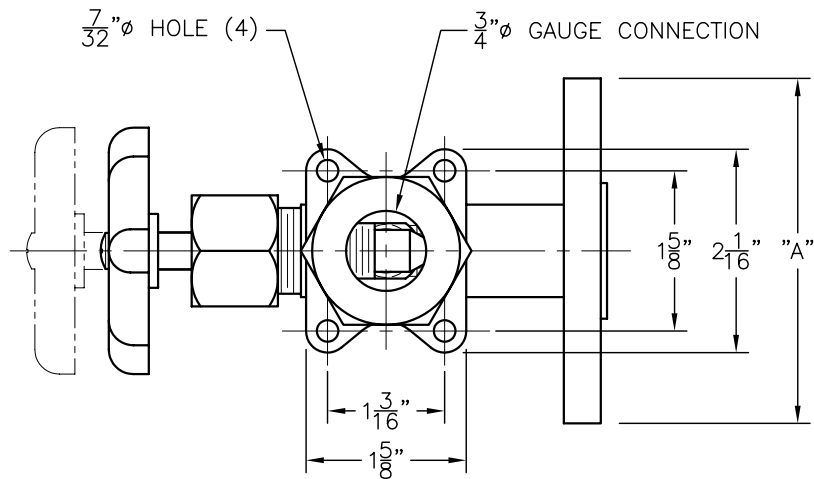
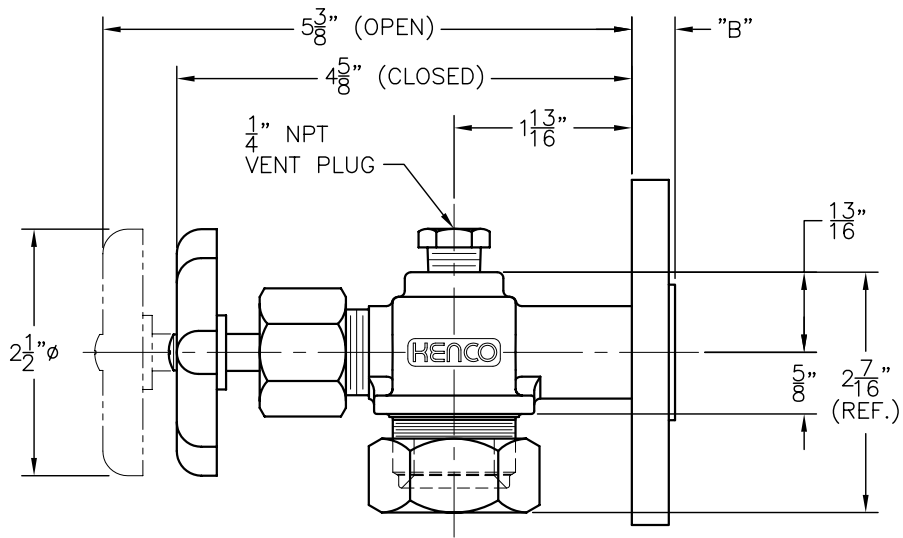
VALVE STEM PACKING MATERIAL: PTFE

GAUGE CONNECTION SEAL MATERIAL: SPECIFIED BY CUSTOMER

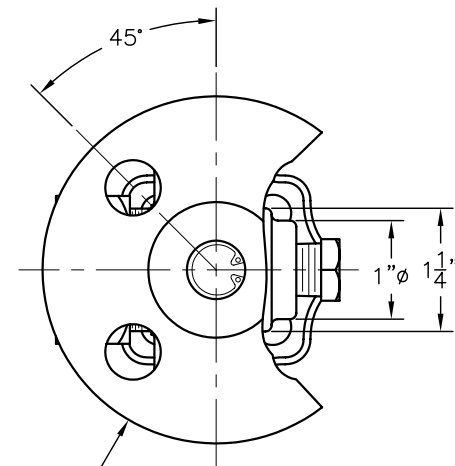
INFORMATION IS PROPRIETARY TO KENCO ENGINEERING CO.

REV.	DATE	BY	ECN	EXPLANATION:

<b>KENCO ENGINEERING COMPANY</b> TULSA, OKLAHOMA		
VALVE, GAUGE GLASS (LOWER) WITH 3/4" GAUGE CONN., FLANGED VESSEL CONN. AND BALL CHECK SHUTOFF		
DATE: 12-18-06	SHEET: 1 OF 2	DRAWING NUMBER
DRN. BY: DS	CHKD. BY: BC	C-51061
SCALE: NONE	REVISION:	51069



ASSEMBLY NUMBER	VESSEL CONNECTION FLANGE SIZE	"A"	"B"
C-51110	1/2" 150 LB. R.F.	3-1/2"	7/16"
C-51111	3/4" 150 LB. R.F.	3-7/8"	1/2"
C-51112	1" 150 LB. R.F.	4-1/4"	9/16"
C-51113	1-1/2" 150 LB. R.F.	5"	11/16"
C-51114	2" 150 LB. R.F.	6"	3/4"
C-51115	1/2" 300 LB. R.F.	3-3/4"	9/16"
C-51116	3/4" 300 LB. R.F.	4-5/8"	5/8"
C-51117	1" 300 LB. R.F.	4-7/8"	11/16"
C-51118	1-1/2" 300 LB. R.F.	6-1/8"	13/16"



VESSEL CONNECTION  
SEE OPTIONS ABOVE

VALVE BODY MATERIAL:  
ADD SUFFIX "-CS" OR "-SS" TO ASSEMBLY NUMBER TO DESIGNATE MATERIALS OF CONSTRUCTION.

"-CS" (DESIGNATES ZINC PLATED CARBON STEEL)  
"-SS" (DESIGNATES 316 STAINLESS STEEL)

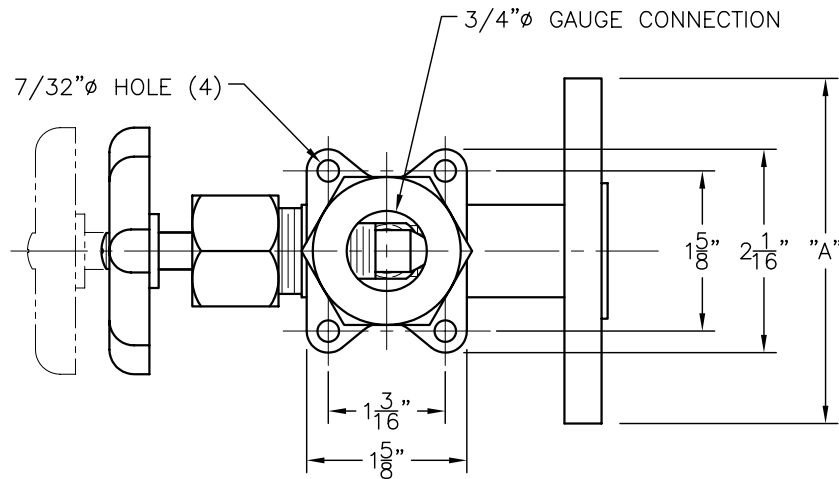
VALVE STEM PACKING MATERIAL: PTFE

GAUGE CONNECTION SEAL MATERIAL: SPECIFIED BY CUSTOMER

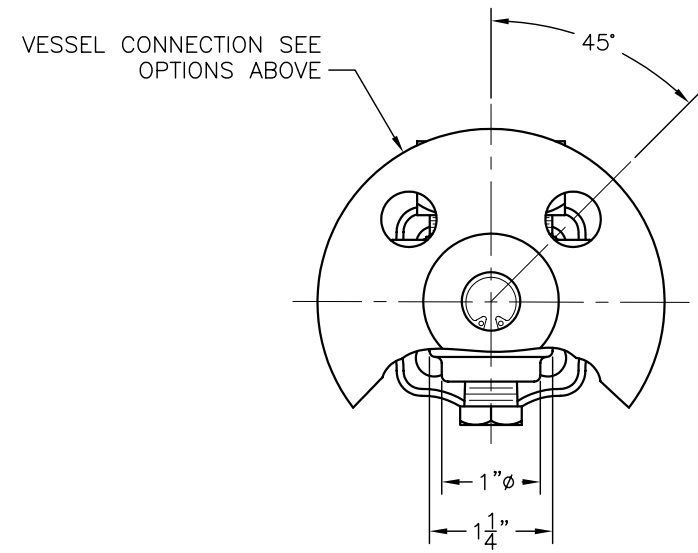
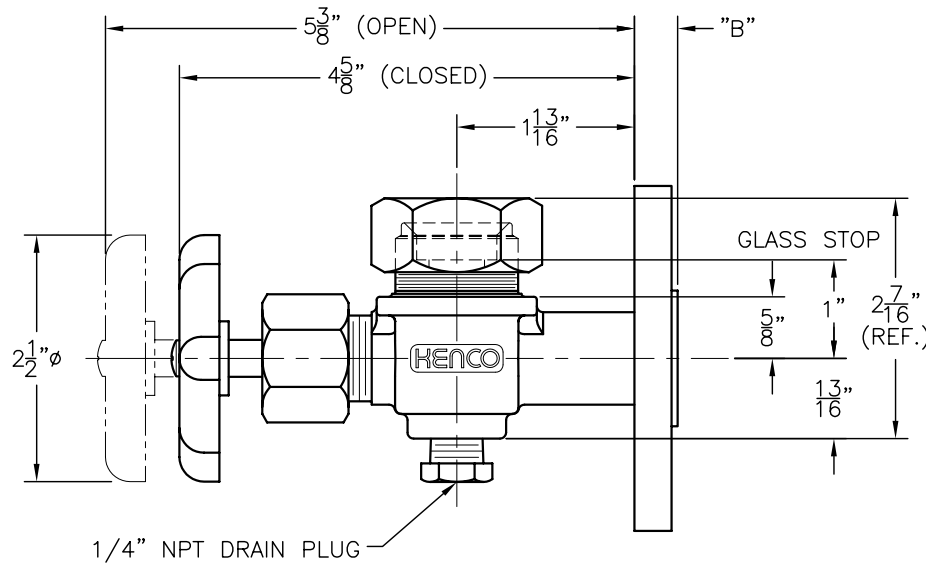
INFORMATION IS PROPRIETARY TO KENCO ENGINEERING CO.

REV.	DATE	BY	ECN	EXPLANATION:

<b>KENCO ENGINEERING COMPANY</b> TULSA, OKLAHOMA			
VALVE, GAUGE GLASS (UPPER) WITH 3/4" GAUGE CONN., FLANGED VESSEL CONN. AND BALL CHECK SHUTOFF			
DATE: 12-18-06	SHEET: 1 OF 2	DRAWING NUMBER	
DRN. BY: DS	CHKD. BY: BC	C-51110	
SCALE: NONE	REVISION:	51118	



ASSEMBLY NUMBER	VESSEL CONNECTION FLANGE SIZE	"A"	"B"
C-51061	1/2" 150 LB. R.F.	3-1/2"	7/16"
C-51062	3/4" 150 LB. R.F.	3-7/8"	1/2"
C-51063	1" 150 LB. R.F.	4-1/4"	9/16"
C-51064	1-1/2" 150 LB. R.F.	5"	11/16"
C-51065	2" 150 LB. R.F.	6"	3/4"
C-51066	1/2" 300 LB. R.F.	3-3/4"	9/16"
C-51067	3/4" 300 LB. R.F.	4-5/8"	5/8"
C-51068	1" 300 LB. R.F.	4-7/8"	11/16"
C-51069	1-1/2" 300 LB. R.F.	6-1/8"	13/16"



VALVE BODY MATERIAL:  
ADD SUFFIX "-CS" OR "-SS" TO ASSEMBLY NUMBER TO DESIGNATE MATERIALS OF CONSTRUCTION.

"-CS" (DESIGNATES ZINC PLATED CARBON STEEL)  
"-SS" (DESIGNATES 316 STAINLESS STEEL)

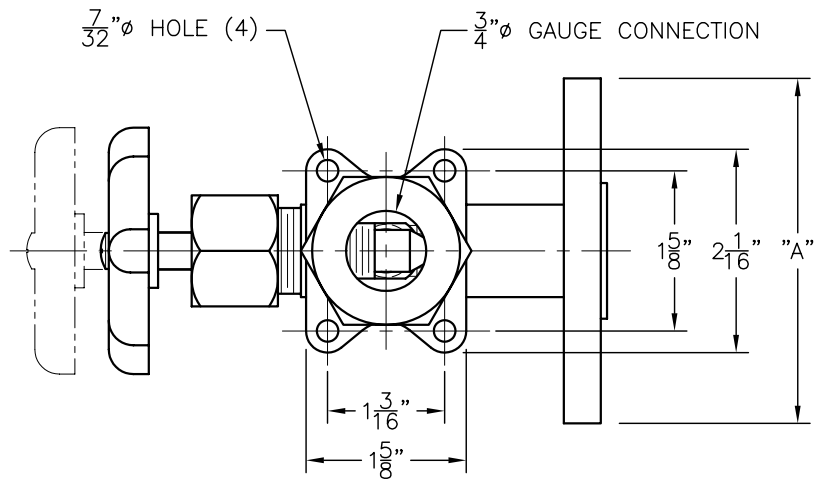
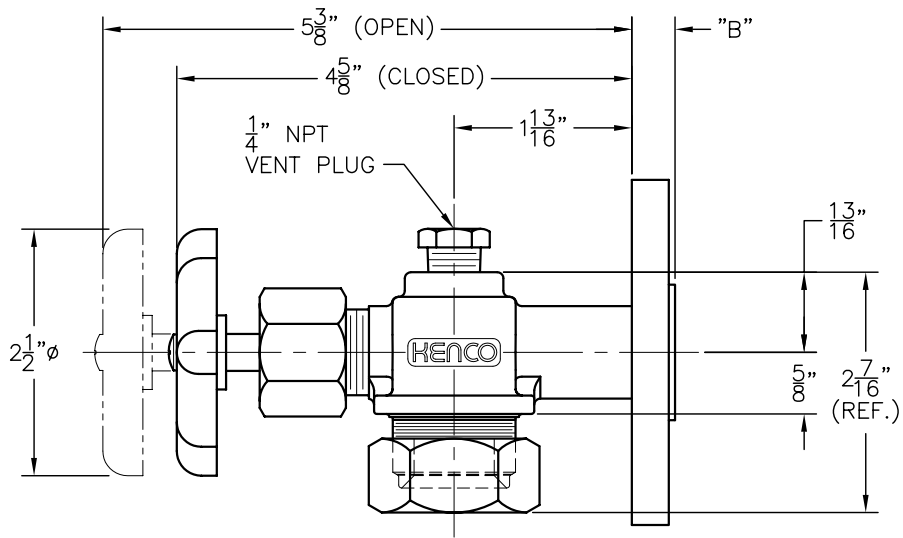
VALVE STEM PACKING MATERIAL: PTFE

GAUGE CONNECTION SEAL MATERIAL: SPECIFIED BY CUSTOMER

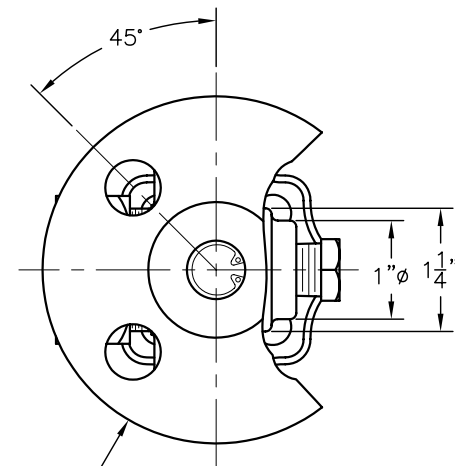
INFORMATION IS PROPRIETARY TO KENCO ENGINEERING CO.

REV.	DATE	BY	ECN	EXPLANATION:

<b>KENCO ENGINEERING COMPANY</b> TULSA, OKLAHOMA		
VALVE, GAUGE GLASS (LOWER) WITH 3/4" GAUGE CONN., FLANGED VESSEL CONN. AND BALL CHECK SHUTOFF		
DATE: 12-18-06	SHEET: 1 OF 2	DRAWING NUMBER
DRN. BY: DS	CHKD. BY: BC	C-51061
SCALE: NONE	REVISION:	51069



ASSEMBLY NUMBER	VESSEL CONNECTION FLANGE SIZE	"A"	"B"
C-51110	1/2" 150 LB. R.F.	3-1/2"	7/16"
C-51111	3/4" 150 LB. R.F.	3-7/8"	1/2"
C-51112	1" 150 LB. R.F.	4-1/4"	9/16"
C-51113	1-1/2" 150 LB. R.F.	5"	11/16"
C-51114	2" 150 LB. R.F.	6"	3/4"
C-51115	1/2" 300 LB. R.F.	3-3/4"	9/16"
C-51116	3/4" 300 LB. R.F.	4-5/8"	5/8"
C-51117	1" 300 LB. R.F.	4-7/8"	11/16"
C-51118	1-1/2" 300 LB. R.F.	6-1/8"	13/16"



VESSEL CONNECTION  
SEE OPTIONS ABOVE

VALVE BODY MATERIAL:  
ADD SUFFIX "-CS" OR "-SS" TO ASSEMBLY NUMBER TO DESIGNATE MATERIALS OF CONSTRUCTION.

"-CS" (DESIGNATES ZINC PLATED CARBON STEEL)  
"-SS" (DESIGNATES 316 STAINLESS STEEL)

VALVE STEM PACKING MATERIAL: PTFE

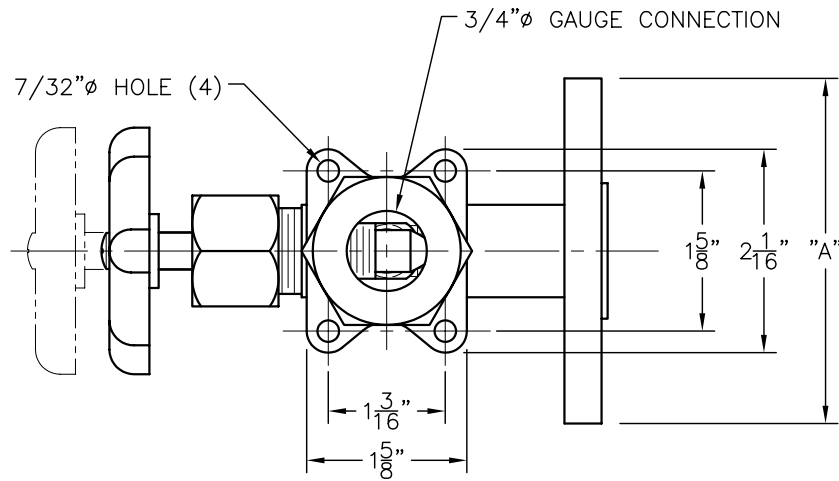
GAUGE CONNECTION SEAL MATERIAL: SPECIFIED BY CUSTOMER

INFORMATION IS PROPRIETARY TO KENCO ENGINEERING CO.

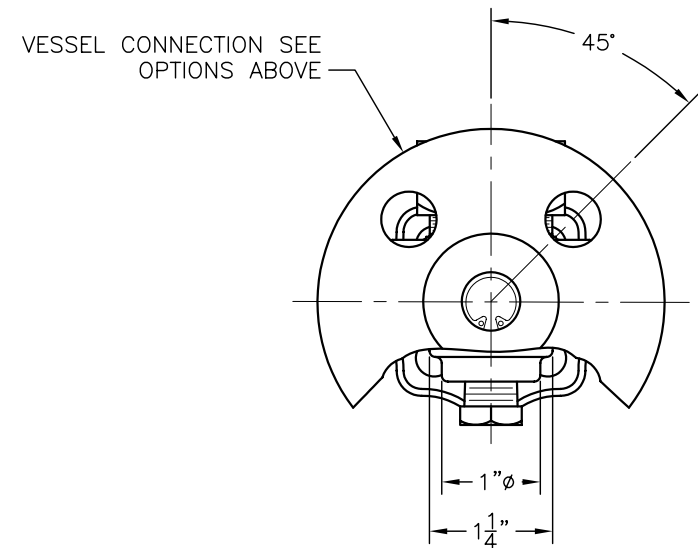
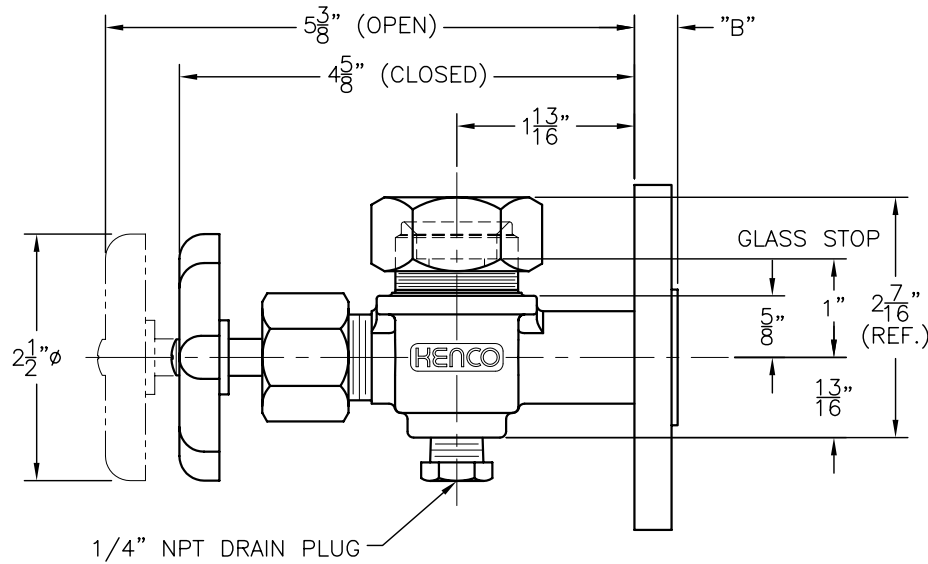
REV.	DATE	BY	ECN	EXPLANATION:

<b>KENCO ENGINEERING COMPANY</b> TULSA, OKLAHOMA			
VALVE, GAUGE GLASS (UPPER) WITH 3/4" GAUGE CONN., FLANGED VESSEL CONN. AND BALL CHECK SHUTOFF			
DATE: 12-18-06	SHEET: 1 OF 2	DRAWING NUMBER	
DRN. BY: DS	CHKD. BY: BC	C-51110	
SCALE: NONE	REVISION:	51118	





ASSEMBLY NUMBER	VESSEL CONNECTION FLANGE SIZE	"A"	"B"
C-51061	1/2" 150 LB. R.F.	3-1/2"	7/16"
C-51062	3/4" 150 LB. R.F.	3-7/8"	1/2"
C-51063	1" 150 LB. R.F.	4-1/4"	9/16"
C-51064	1-1/2" 150 LB. R.F.	5"	11/16"
C-51065	2" 150 LB. R.F.	6"	3/4"
C-51066	1/2" 300 LB. R.F.	3-3/4"	9/16"
C-51067	3/4" 300 LB. R.F.	4-5/8"	5/8"
C-51068	1" 300 LB. R.F.	4-7/8"	11/16"
C-51069	1-1/2" 300 LB. R.F.	6-1/8"	13/16"



VALVE BODY MATERIAL:  
ADD SUFFIX "-CS" OR "-SS" TO ASSEMBLY NUMBER TO DESIGNATE MATERIALS OF CONSTRUCTION.

"-CS" (DESIGNATES ZINC PLATED CARBON STEEL)  
"-SS" (DESIGNATES 316 STAINLESS STEEL)

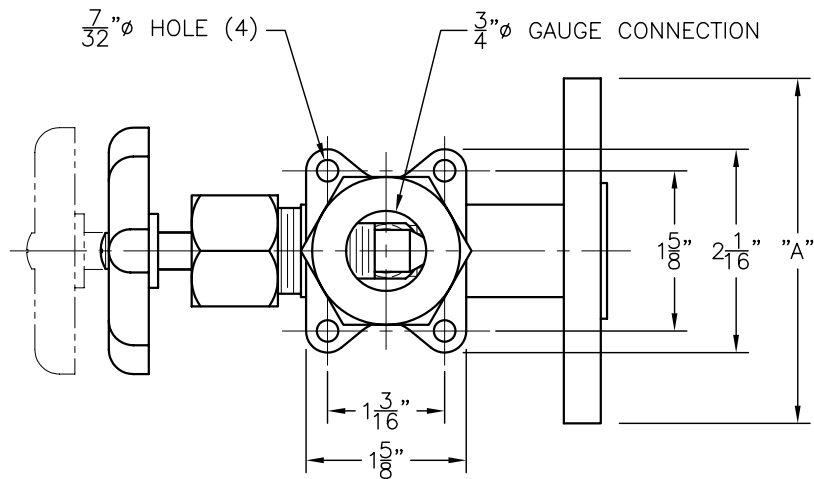
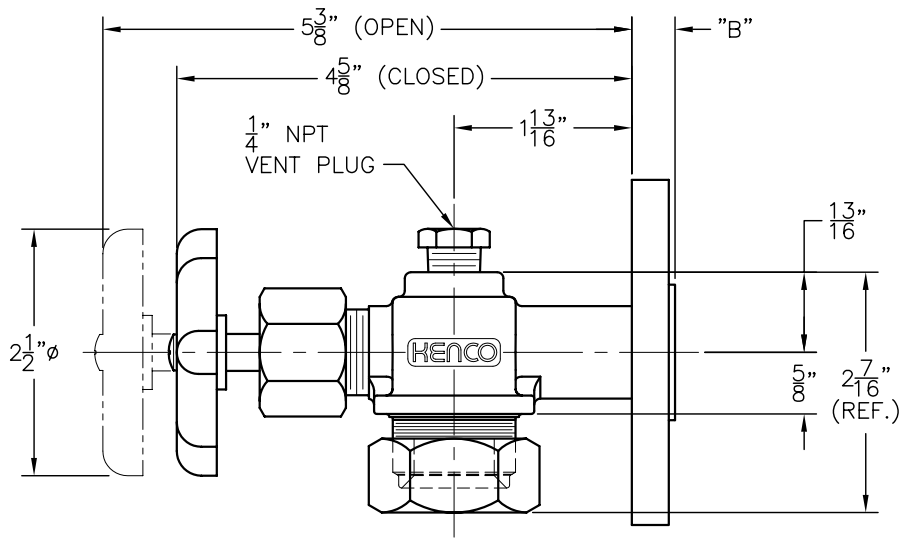
VALVE STEM PACKING MATERIAL: PTFE

GAUGE CONNECTION SEAL MATERIAL: SPECIFIED BY CUSTOMER

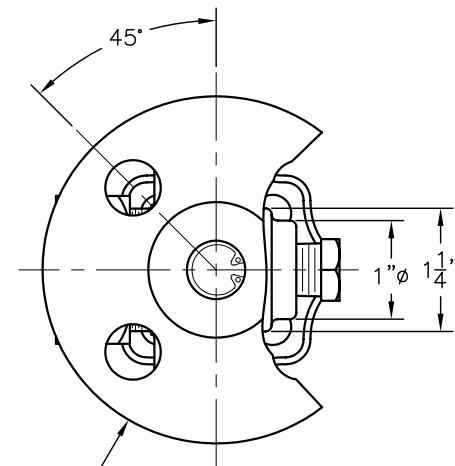
INFORMATION IS PROPRIETARY TO KENCO ENGINEERING CO.

REV.	DATE	BY	ECN	EXPLANATION:

<b>KENCO ENGINEERING COMPANY</b> TULSA, OKLAHOMA		
VALVE, GAUGE GLASS (LOWER) WITH 3/4" GAUGE CONN., FLANGED VESSEL CONN. AND BALL CHECK SHUTOFF		
DATE: 12-18-06	SHEET: 1 OF 2	DRAWING NUMBER
DRN. BY: DS	CHKD. BY: BC	C-51061
SCALE: NONE	REVISION:	51069



ASSEMBLY NUMBER	VESSEL CONNECTION FLANGE SIZE	"A"	"B"
C-51110	1/2" 150 LB. R.F.	3-1/2"	7/16"
C-51111	3/4" 150 LB. R.F.	3-7/8"	1/2"
C-51112	1" 150 LB. R.F.	4-1/4"	9/16"
C-51113	1-1/2" 150 LB. R.F.	5"	11/16"
C-51114	2" 150 LB. R.F.	6"	3/4"
C-51115	1/2" 300 LB. R.F.	3-3/4"	9/16"
C-51116	3/4" 300 LB. R.F.	4-5/8"	5/8"
C-51117	1" 300 LB. R.F.	4-7/8"	11/16"
C-51118	1-1/2" 300 LB. R.F.	6-1/8"	13/16"



VESSEL CONNECTION  
SEE OPTIONS ABOVE

VALVE BODY MATERIAL:  
ADD SUFFIX "-CS" OR "-SS" TO ASSEMBLY NUMBER TO DESIGNATE MATERIALS OF CONSTRUCTION.

"-CS" (DESIGNATES ZINC PLATED CARBON STEEL)  
"-SS" (DESIGNATES 316 STAINLESS STEEL)

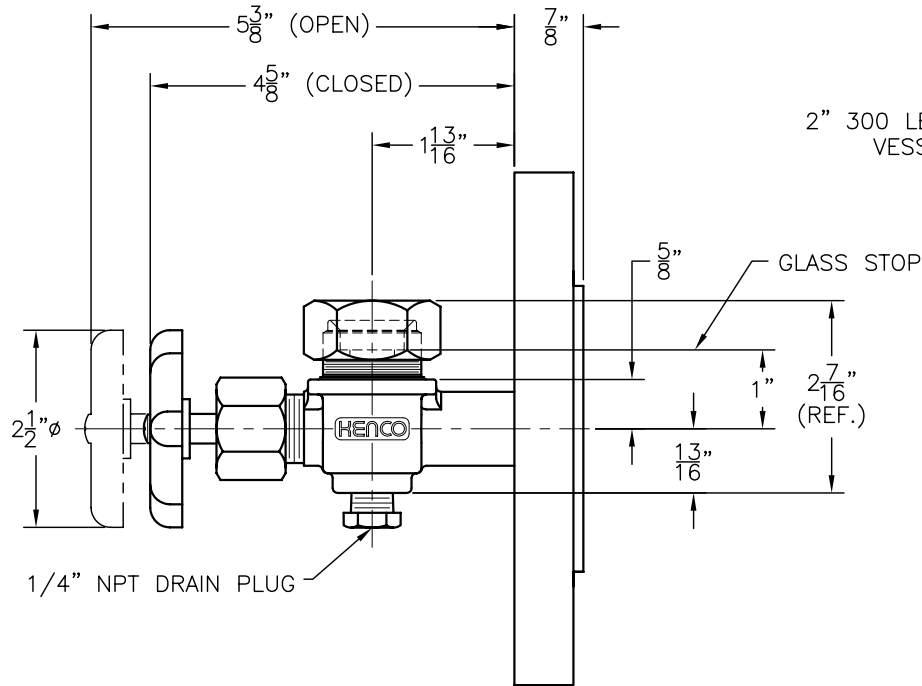
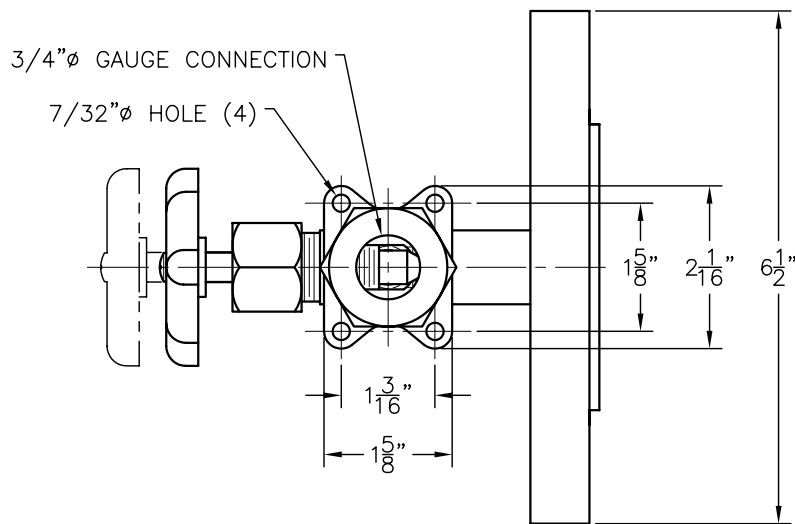
VALVE STEM PACKING MATERIAL: PTFE

GAUGE CONNECTION SEAL MATERIAL: SPECIFIED BY CUSTOMER

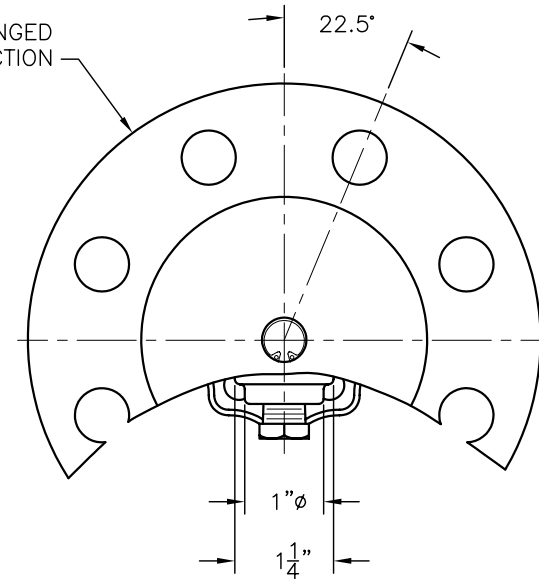
INFORMATION IS PROPRIETARY TO KENCO ENGINEERING CO.

REV.	DATE	BY	ECN	EXPLANATION:

<b>KENCO ENGINEERING COMPANY</b> TULSA, OKLAHOMA			
VALVE, GAUGE GLASS (UPPER) WITH 3/4" GAUGE CONN., FLANGED VESSEL CONN. AND BALL CHECK SHUTOFF			
DATE: 12-18-06	SHEET: 1 OF 2	DRAWING NUMBER	
DRN. BY: DS	CHKD. BY: BC	C-51110	
SCALE: NONE	REVISION:	51118	



2" 300 LB. R.F. FLANGED  
VESSEL CONNECTION



VALVE BODY MATERIAL:

ADD SUFFIX "-CS" OR "-SS" TO ASSEMBLY NUMBER TO DESIGNATE MATERIALS OF CONSTRUCTION.

"-CS" (DESIGNATES ZINC PLATED CARBON STEEL)

"-SS" (DESIGNATES 316 STAINLESS STEEL)

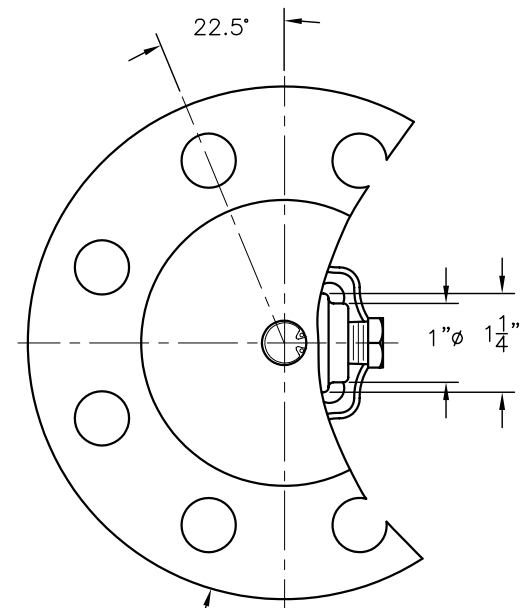
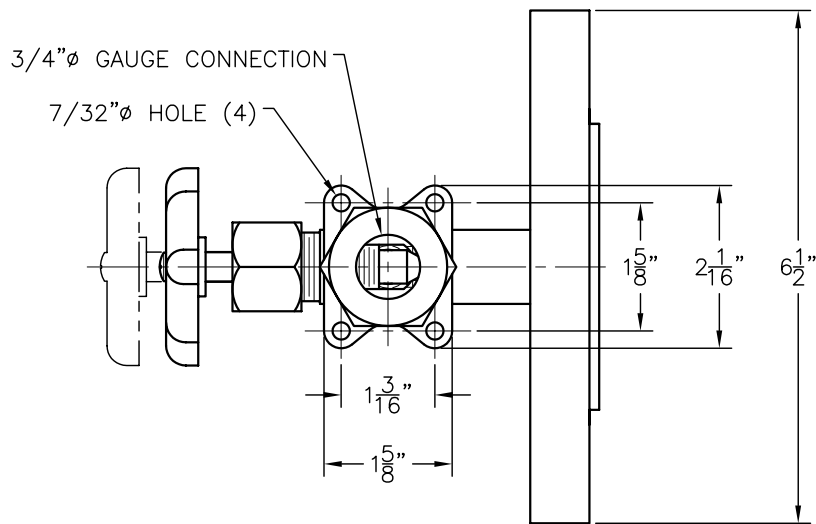
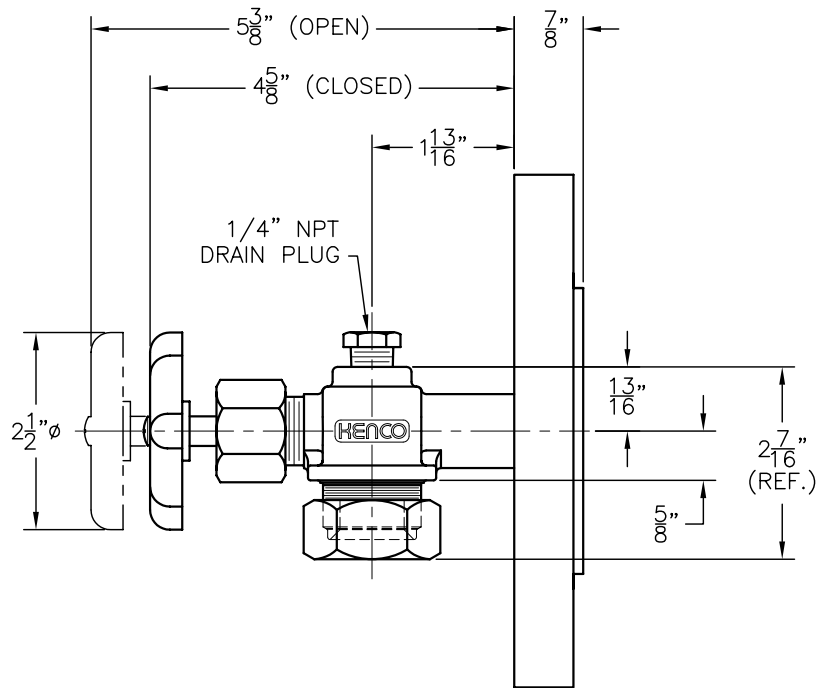
VALVE STEM PACKING MATERIAL: PTFE

GAUGE CONNECTION SEAL MATERIAL: SPECIFIED BY CUSTOMER

INFORMATION IS PROPRIETARY TO KENCO ENGINEERING CO.

REV.	DATE	BY	ECN	EXPLANATION:

<b>KENCO ENGINEERING COMPANY</b> TULSA, OKLAHOMA			
VALVE, GAUGE GLASS (LOWER) WITH 3/4" GAUGE CONN., FLANGED VESSEL CONN. AND BALL CHECK SHUTOFF			
DATE: 03-29-07	SHEET: 1 OF 2	DRAWING NUMBER	
DRN. BY: DS	CHKD. BY: BC	C-51126	
SCALE: NONE	REVISION:		



2" 300 LB. R.F. FLANGED  
VESSEL CONNECTION

VALVE BODY MATERIAL:

ADD SUFFIX "-CS" OR "-SS" TO ASSEMBLY NUMBER TO DESIGNATE MATERIALS OF CONSTRUCTION.

"-CS" (DESIGNATES ZINC PLATED CARBON STEEL)

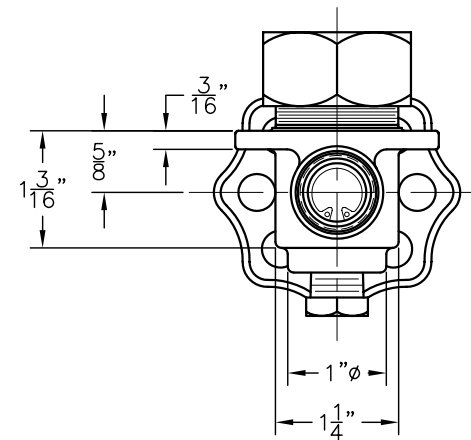
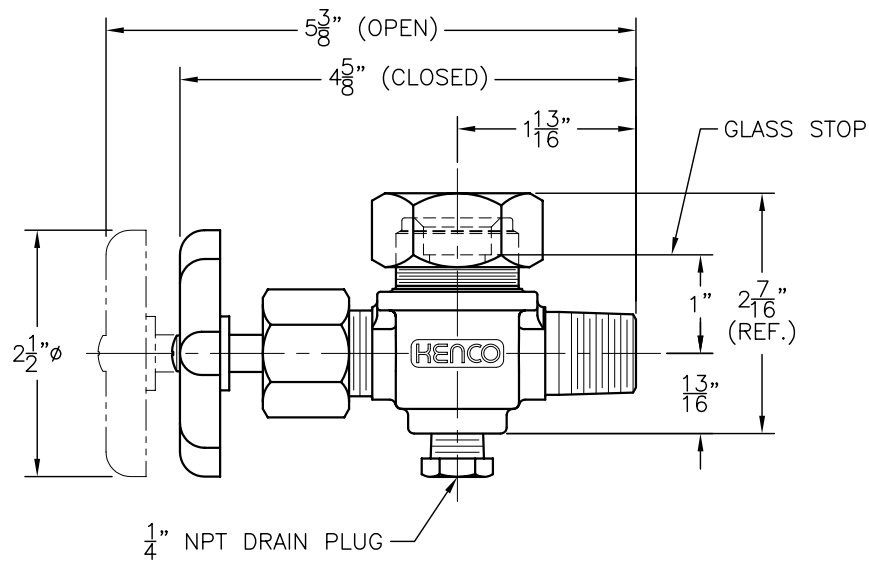
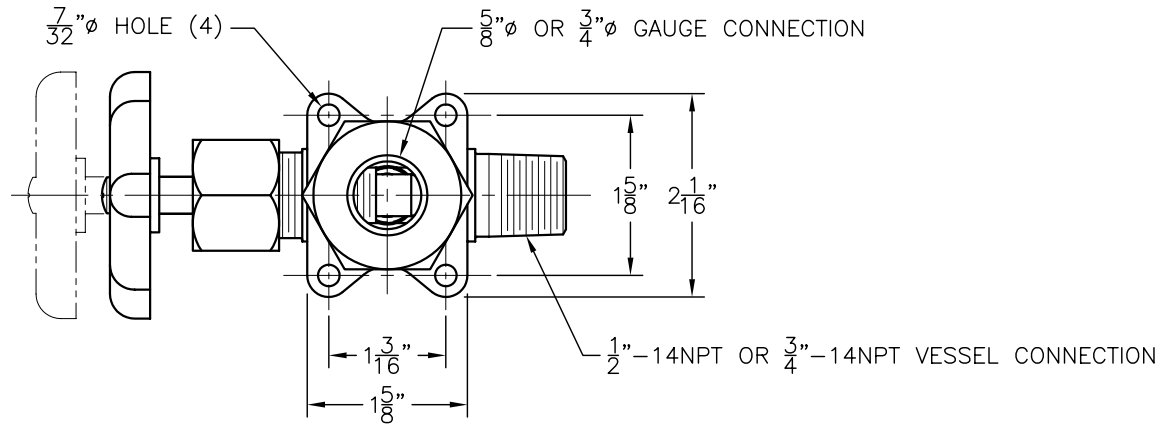
"-SS" (DESIGNATES 316 STAINLESS STEEL)

VALVE STEM PACKING MATERIAL: PTFE

GAUGE CONNECTION SEAL MATERIAL: SPECIFIED BY CUSTOMER

INFORMATION IS PROPRIETARY TO KENCO ENGINEERING CO.

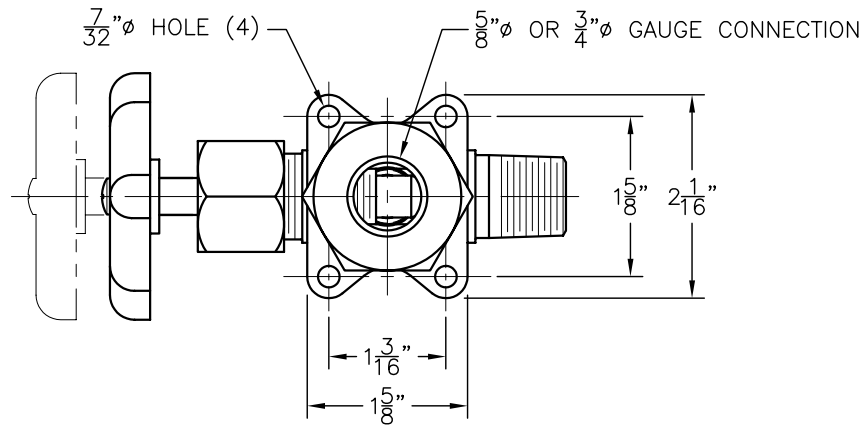
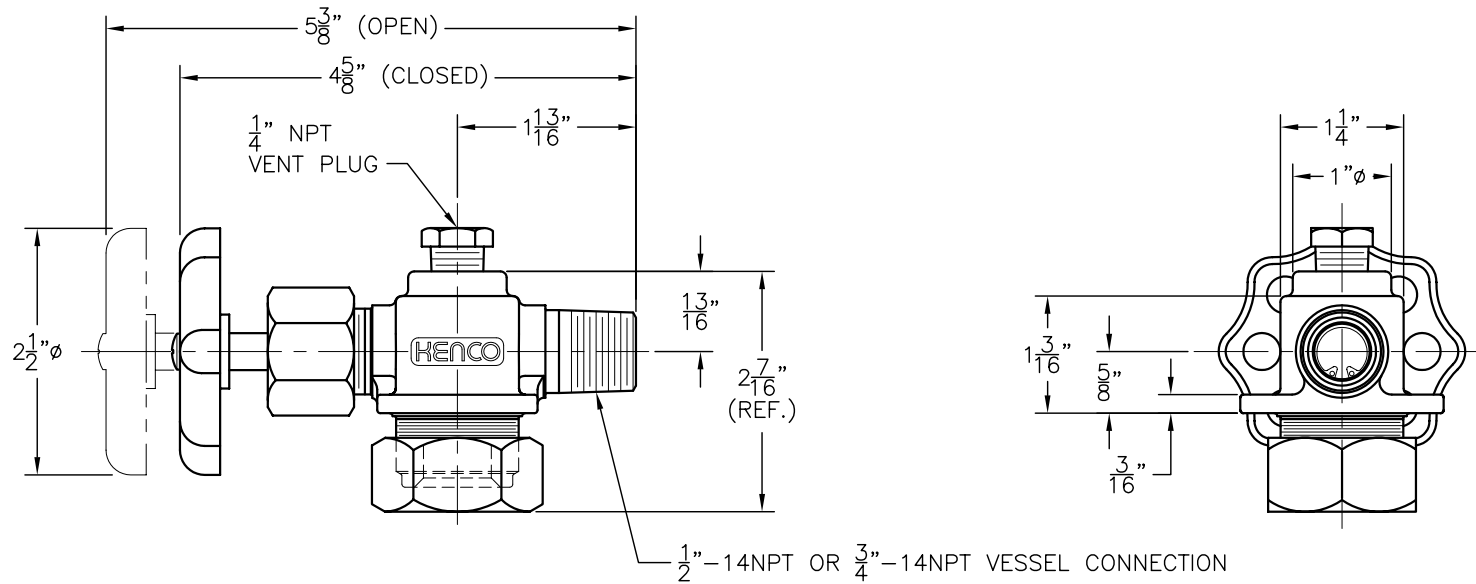
REV.	DATE	BY	ECN	EXPLANATION:	KENCO ENGINEERING COMPANY TULSA, OKLAHOMA		
					VALVE, GAUGE GLASS (UPPER) WITH 3/4" GAUGE CONN., FLANGED VESSEL CONN. AND BALL CHECK SHUTOFF		
					DATE: 03-29-07	SHEET: 1 OF 2	DRAWING NUMBER
					DRN. BY: DS	CHKD. BY: BC	C-51127
					SCALE: NONE	REVISION:	



DRAWING NUMBER	GAUGE CONNECTION SIZE	VESSEL CONNECTION SIZE	VALVE BODY MATERIAL	VALVE STEM PACKING MATERIAL	GAUGE CONNECTION SEAL MATERIAL
C-22817-CS	5/8"φ	1/2" NPT	ZINC PLATED CARBON STEEL		AS
C-22817-SS	"	"	316 STAINLESS STEEL		SPECIFIED
C-22818-CS	3/4"φ	3/4" NPT	ZINC PLATED CARBON STEEL	PTFE	BY
C-22818-SS	"	"	316 STAINLESS STEEL		CUSTOMER

INFORMATION IS PROPRIETARY TO KENCO ENGINEERING CO.

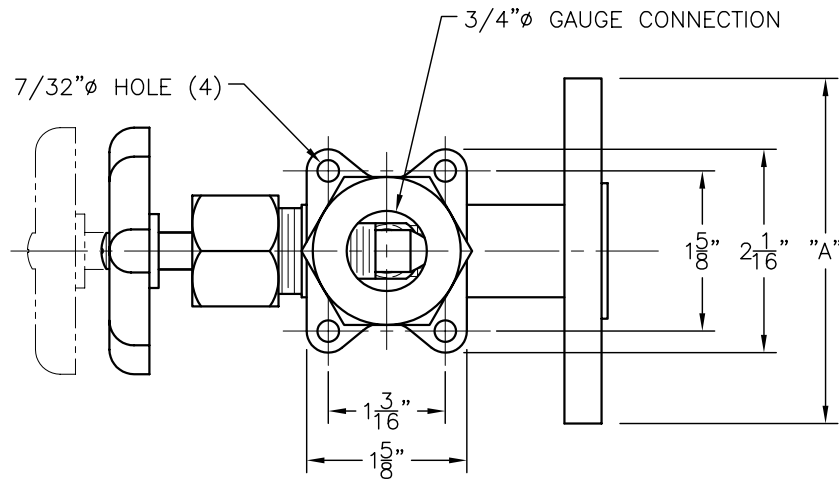
REV.	DATE	BY	ECN	EXPLANATION:	KENCO ENGINEERING COMPANY TULSA, OKLAHOMA
G	06-16-06	DS	N/A	UPDATED ITEM 1 TO REFLECT NEW CASTING MOLD; ITEM 1 P/N ON C-22817-CS/SS WAS B-22821-CS/SS; ITEM 1 P/N ON C-22818-CS/SS WAS B-22823-CS/SS; ADDED ITEMS 15 AND 16; 1"φ WAS 3/4"φ	
H	04-04-07	DS	N/A	CREATED SUBASSEMBLY FOR VALVE STEM	VALVE, GAUGE GLASS (LOWER)
				DATE: 08-04-94	SHEET: 1 OF 2
				DRN. BY: RB	CHKD. BY:
				SCALE: 1"=1"	REVISION: H
					DRAWING NUMBER C-22817 22818



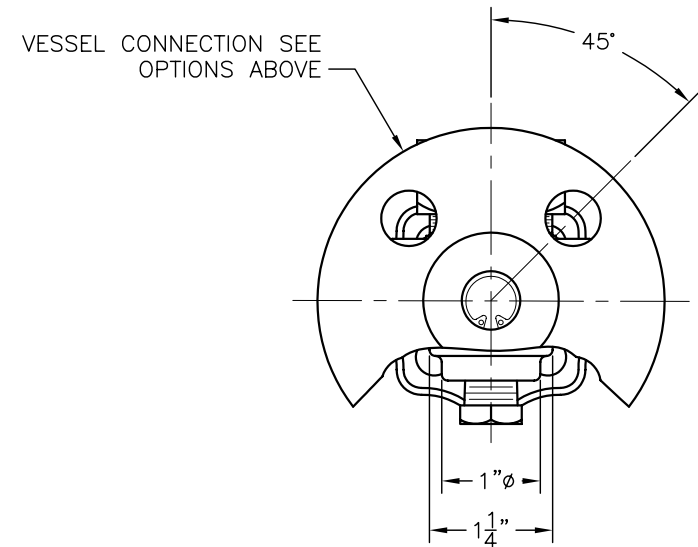
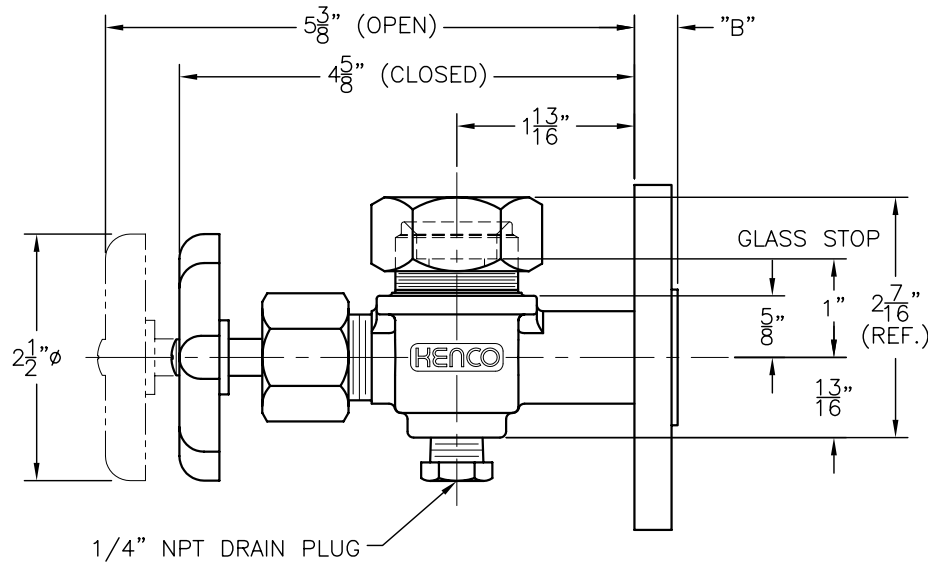
DRAWING NUMBER	GAUGE CONNECTION SIZE	VESSEL CONNECTION SIZE	VALVE BODY MATERIAL	VALVE STEM PACKING MATERIAL	GAUGE CONNECTION SEAL MATERIAL
C-22819-CS	5/8"φ	1/2" NPT	ZINC PLATED CARBON STEEL		AS
C-22819-SS	"	"	316 STAINLESS STEEL		SPECIFIED
C-22820-CS	3/4"φ	3/4" NPT	ZINC PLATED CARBON STEEL	PTFE	BY
C-22820-SS	"	"	316 STAINLESS STEEL		CUSTOMER

INFORMATION IS PROPRIETARY TO KENCO ENGINEERING CO.

REV.	DATE	BY	ECN	EXPLANATION:	KENCO ENGINEERING COMPANY TULSA, OKLAHOMA
G	06-16-06	DS	N/A	UPDATED ITEM 1 TO REFLECT NEW CASTING MOLD; ITEM 1 P/N ON C-22819-CS/SS WAS B-22822-CS/SS; ITEM 1 P/N ON C-22820-CS/SS WAS B-22824-CS/SS; ADDED ITEMS 15 AND 16; 1"φ WAS 3/4"φ	
H	04-04-07	DS	N/A	CREATED SUBASSEMBLY FOR VALVE STEM	VALVE, GAUGE GLASS (UPPER)
				DATE: 08-04-94	SHEET: 1 OF 2
				DRN. BY: RB	CHKD. BY:
				SCALE: 1"=1"	REVISION: H
					DRAWING NUMBER C-22819 22820



ASSEMBLY NUMBER	VESSEL CONNECTION FLANGE SIZE	"A"	"B"
C-51061	1/2" 150 LB. R.F.	3-1/2"	7/16"
C-51062	3/4" 150 LB. R.F.	3-7/8"	1/2"
C-51063	1" 150 LB. R.F.	4-1/4"	9/16"
C-51064	1-1/2" 150 LB. R.F.	5"	11/16"
C-51065	2" 150 LB. R.F.	6"	3/4"
C-51066	1/2" 300 LB. R.F.	3-3/4"	9/16"
C-51067	3/4" 300 LB. R.F.	4-5/8"	5/8"
C-51068	1" 300 LB. R.F.	4-7/8"	11/16"
C-51069	1-1/2" 300 LB. R.F.	6-1/8"	13/16"



VALVE BODY MATERIAL:  
ADD SUFFIX "-CS" OR "-SS" TO ASSEMBLY NUMBER TO DESIGNATE MATERIALS OF CONSTRUCTION.

"-CS" (DESIGNATES ZINC PLATED CARBON STEEL)  
"-SS" (DESIGNATES 316 STAINLESS STEEL)

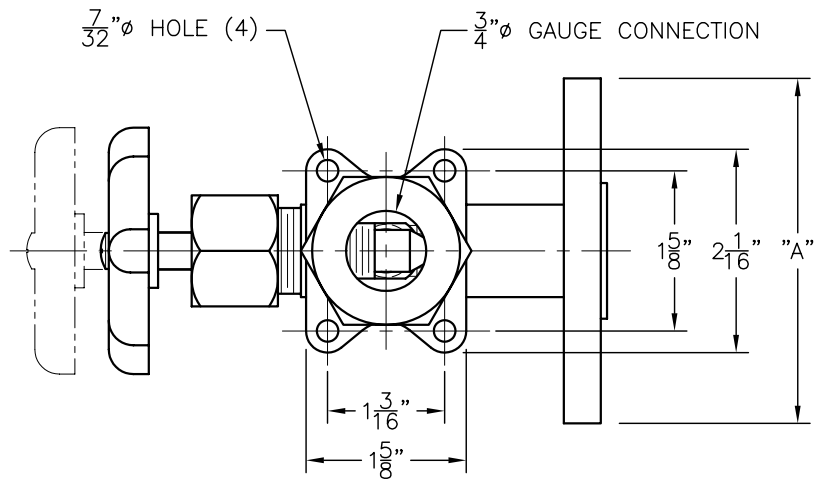
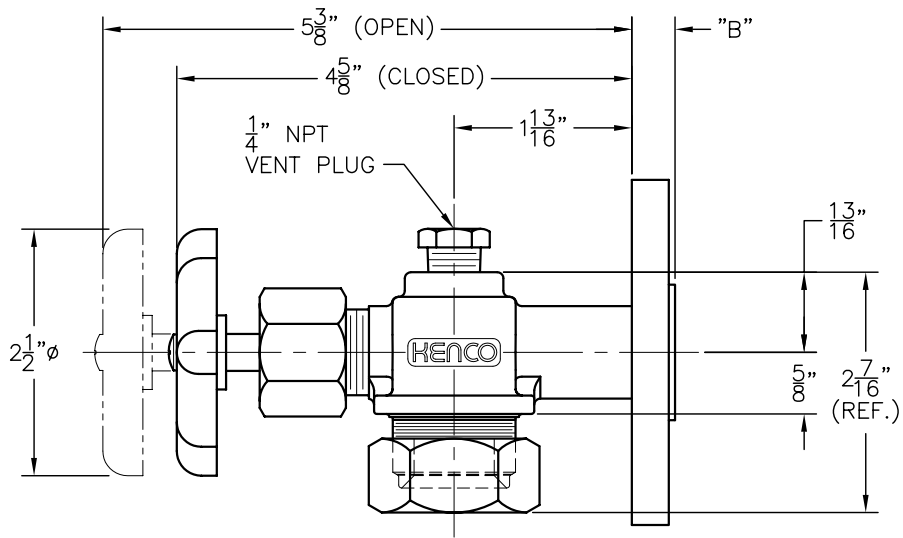
VALVE STEM PACKING MATERIAL: PTFE

GAUGE CONNECTION SEAL MATERIAL: SPECIFIED BY CUSTOMER

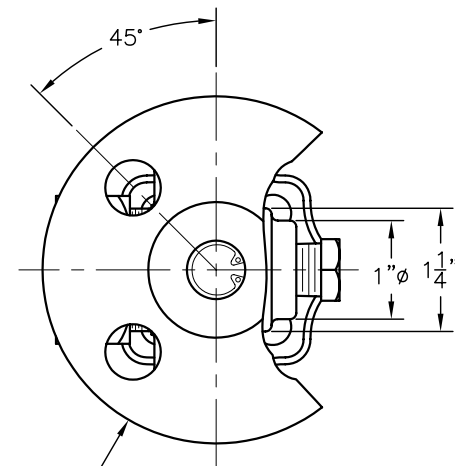
INFORMATION IS PROPRIETARY TO KENCO ENGINEERING CO.

REV.	DATE	BY	ECN	EXPLANATION:

<b>KENCO ENGINEERING COMPANY</b> TULSA, OKLAHOMA			
VALVE, GAUGE GLASS (LOWER) WITH 3/4" GAUGE CONN., FLANGED VESSEL CONN. AND BALL CHECK SHUTOFF			
DATE: 12-18-06	SHEET: 1 OF 2	DRAWING NUMBER	
DRN. BY: DS	CHKD. BY: BC	C-51061	
SCALE: NONE	REVISION:	51069	



ASSEMBLY NUMBER	VESSEL CONNECTION FLANGE SIZE	"A"	"B"
C-51110	1/2" 150 LB. R.F.	3-1/2"	7/16"
C-51111	3/4" 150 LB. R.F.	3-7/8"	1/2"
C-51112	1" 150 LB. R.F.	4-1/4"	9/16"
C-51113	1-1/2" 150 LB. R.F.	5"	11/16"
C-51114	2" 150 LB. R.F.	6"	3/4"
C-51115	1/2" 300 LB. R.F.	3-3/4"	9/16"
C-51116	3/4" 300 LB. R.F.	4-5/8"	5/8"
C-51117	1" 300 LB. R.F.	4-7/8"	11/16"
C-51118	1-1/2" 300 LB. R.F.	6-1/8"	13/16"



VESSEL CONNECTION  
SEE OPTIONS ABOVE

VALVE BODY MATERIAL:  
ADD SUFFIX "-CS" OR "-SS" TO ASSEMBLY NUMBER TO DESIGNATE MATERIALS OF CONSTRUCTION.

"-CS" (DESIGNATES ZINC PLATED CARBON STEEL)  
"-SS" (DESIGNATES 316 STAINLESS STEEL)

VALVE STEM PACKING MATERIAL: PTFE

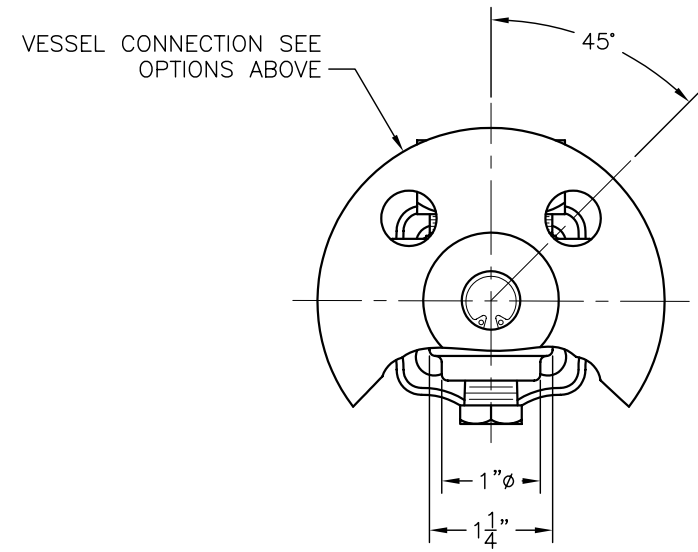
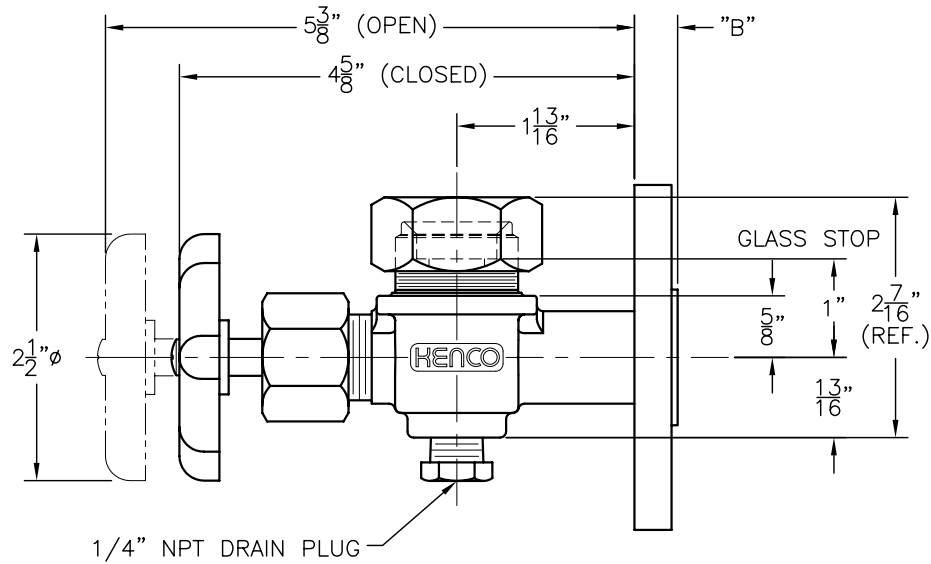
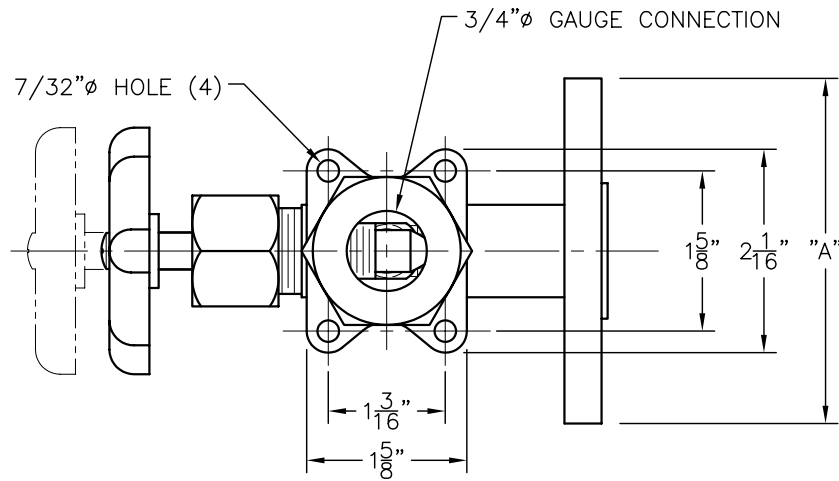
GAUGE CONNECTION SEAL MATERIAL: SPECIFIED BY CUSTOMER

INFORMATION IS PROPRIETARY TO KENCO ENGINEERING CO.

REV.	DATE	BY	ECN	EXPLANATION:

<b>KENCO ENGINEERING COMPANY</b> TULSA, OKLAHOMA			
VALVE, GAUGE GLASS (UPPER) WITH 3/4" GAUGE CONN., FLANGED VESSEL CONN. AND BALL CHECK SHUTOFF			
DATE: 12-18-06	SHEET: 1 OF 2	DRAWING NUMBER	
DRN. BY: DS	CHKD. BY: BC	C-51110	
SCALE: NONE	REVISION:	51118	





ASSEMBLY NUMBER	VESSEL CONNECTION FLANGE SIZE	"A"	"B"
C-51061	1/2" 150 LB. R.F.	3-1/2"	7/16"
C-51062	3/4" 150 LB. R.F.	3-7/8"	1/2"
C-51063	1" 150 LB. R.F.	4-1/4"	9/16"
C-51064	1-1/2" 150 LB. R.F.	5"	11/16"
C-51065	2" 150 LB. R.F.	6"	3/4"
C-51066	1/2" 300 LB. R.F.	3-3/4"	9/16"
C-51067	3/4" 300 LB. R.F.	4-5/8"	5/8"
C-51068	1" 300 LB. R.F.	4-7/8"	11/16"
C-51069	1-1/2" 300 LB. R.F.	6-1/8"	13/16"

VALVE BODY MATERIAL:  
ADD SUFFIX "-CS" OR "-SS" TO ASSEMBLY NUMBER TO DESIGNATE MATERIALS OF CONSTRUCTION.

"-CS" (DESIGNATES ZINC PLATED CARBON STEEL)  
"-SS" (DESIGNATES 316 STAINLESS STEEL)

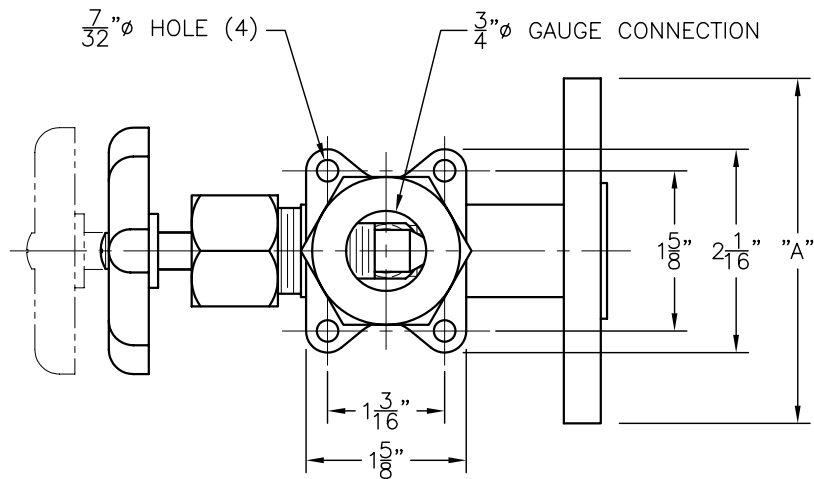
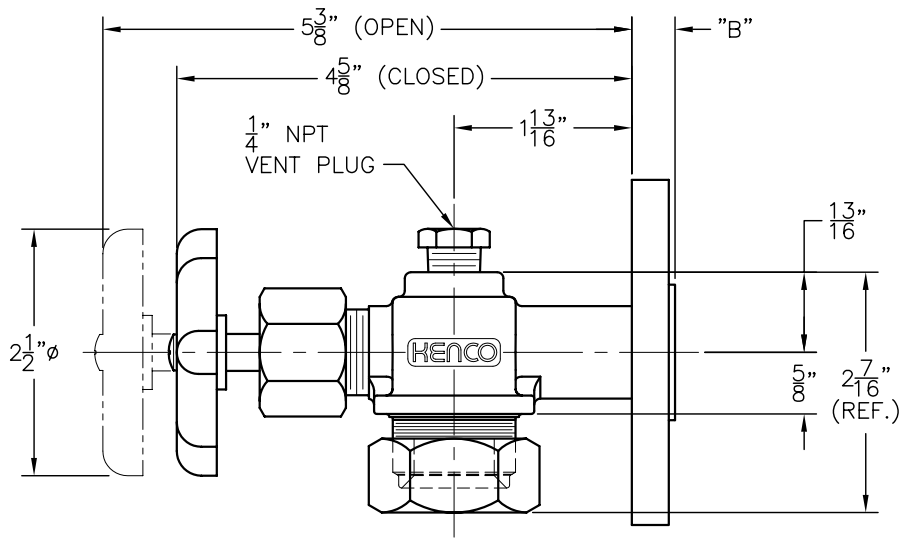
VALVE STEM PACKING MATERIAL: PTFE

GAUGE CONNECTION SEAL MATERIAL: SPECIFIED BY CUSTOMER

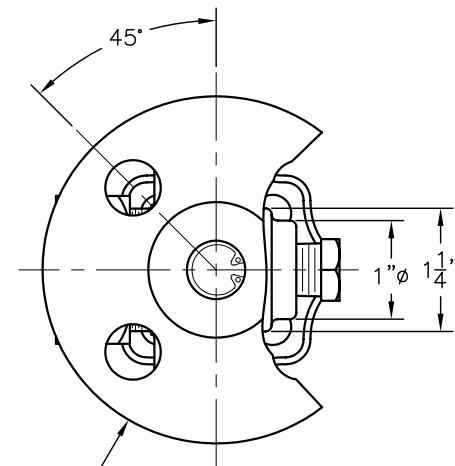
INFORMATION IS PROPRIETARY TO KENCO ENGINEERING CO.

REV.	DATE	BY	ECN	EXPLANATION:

<b>KENCO ENGINEERING COMPANY</b> TULSA, OKLAHOMA		
VALVE, GAUGE GLASS (LOWER) WITH 3/4" GAUGE CONN., FLANGED VESSEL CONN. AND BALL CHECK SHUTOFF		
DATE: 12-18-06	SHEET: 1 OF 2	DRAWING NUMBER
DRN. BY: DS	CHKD. BY: BC	C-51061
SCALE: NONE	REVISION:	51069



ASSEMBLY NUMBER	VESSEL CONNECTION FLANGE SIZE	"A"	"B"
C-51110	1/2" 150 LB. R.F.	3-1/2"	7/16"
C-51111	3/4" 150 LB. R.F.	3-7/8"	1/2"
C-51112	1" 150 LB. R.F.	4-1/4"	9/16"
C-51113	1-1/2" 150 LB. R.F.	5"	11/16"
C-51114	2" 150 LB. R.F.	6"	3/4"
C-51115	1/2" 300 LB. R.F.	3-3/4"	9/16"
C-51116	3/4" 300 LB. R.F.	4-5/8"	5/8"
C-51117	1" 300 LB. R.F.	4-7/8"	11/16"
C-51118	1-1/2" 300 LB. R.F.	6-1/8"	13/16"



VESSEL CONNECTION  
SEE OPTIONS ABOVE

VALVE BODY MATERIAL:  
ADD SUFFIX "-CS" OR "-SS" TO ASSEMBLY NUMBER TO DESIGNATE MATERIALS OF CONSTRUCTION.

"-CS" (DESIGNATES ZINC PLATED CARBON STEEL)  
"-SS" (DESIGNATES 316 STAINLESS STEEL)

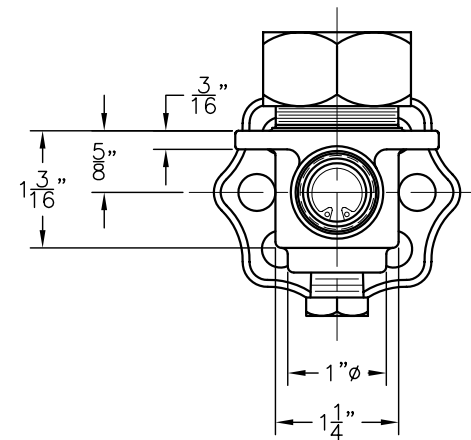
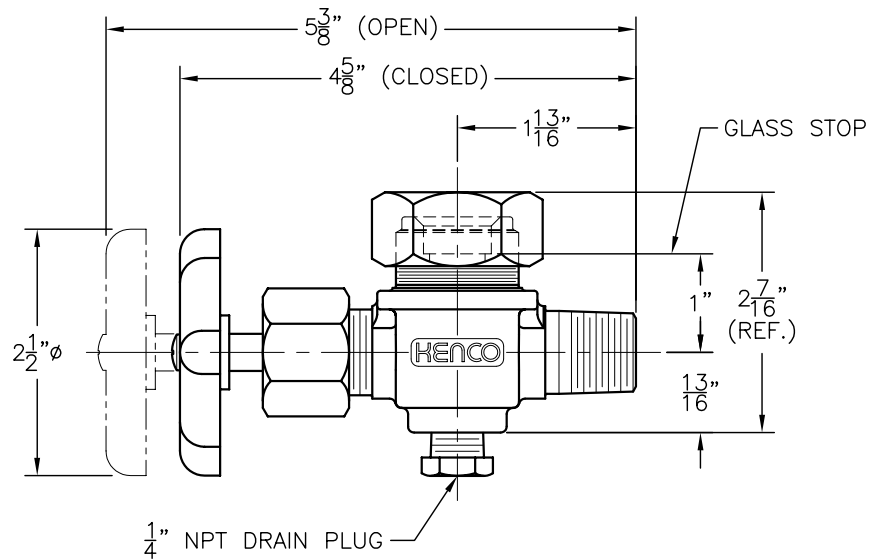
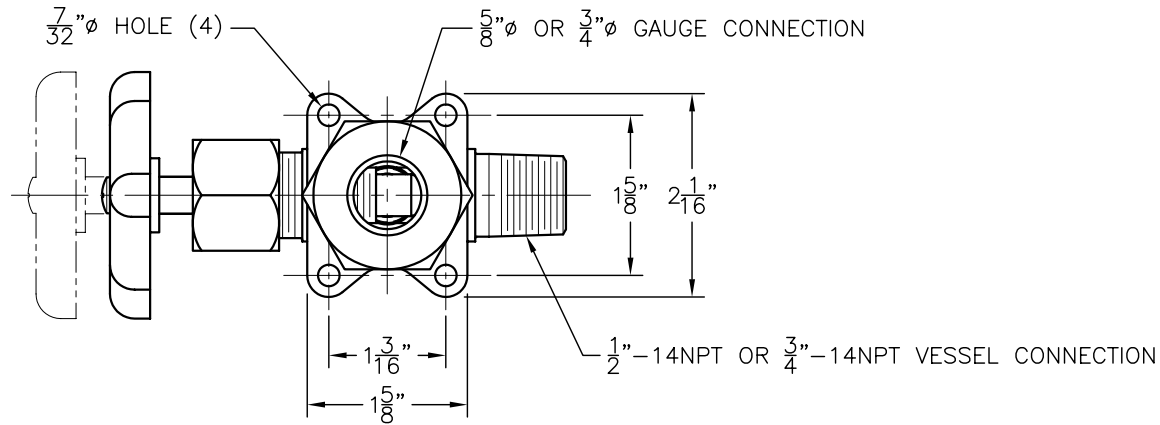
VALVE STEM PACKING MATERIAL: PTFE

GAUGE CONNECTION SEAL MATERIAL: SPECIFIED BY CUSTOMER

INFORMATION IS PROPRIETARY TO KENCO ENGINEERING CO.

REV.	DATE	BY	ECN	EXPLANATION:

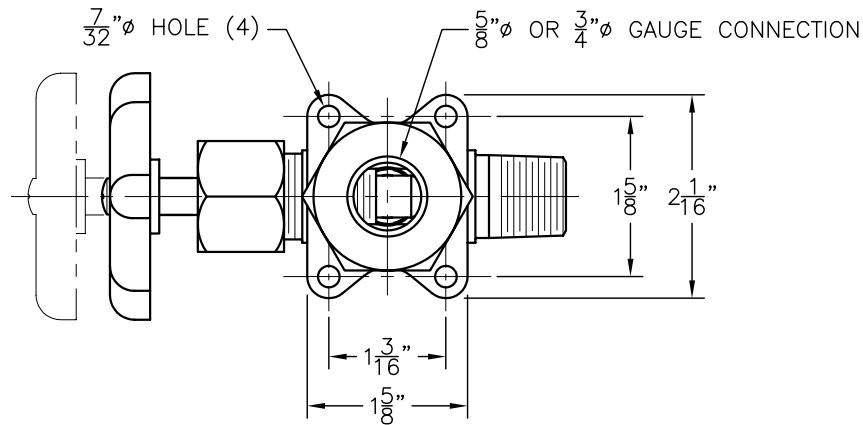
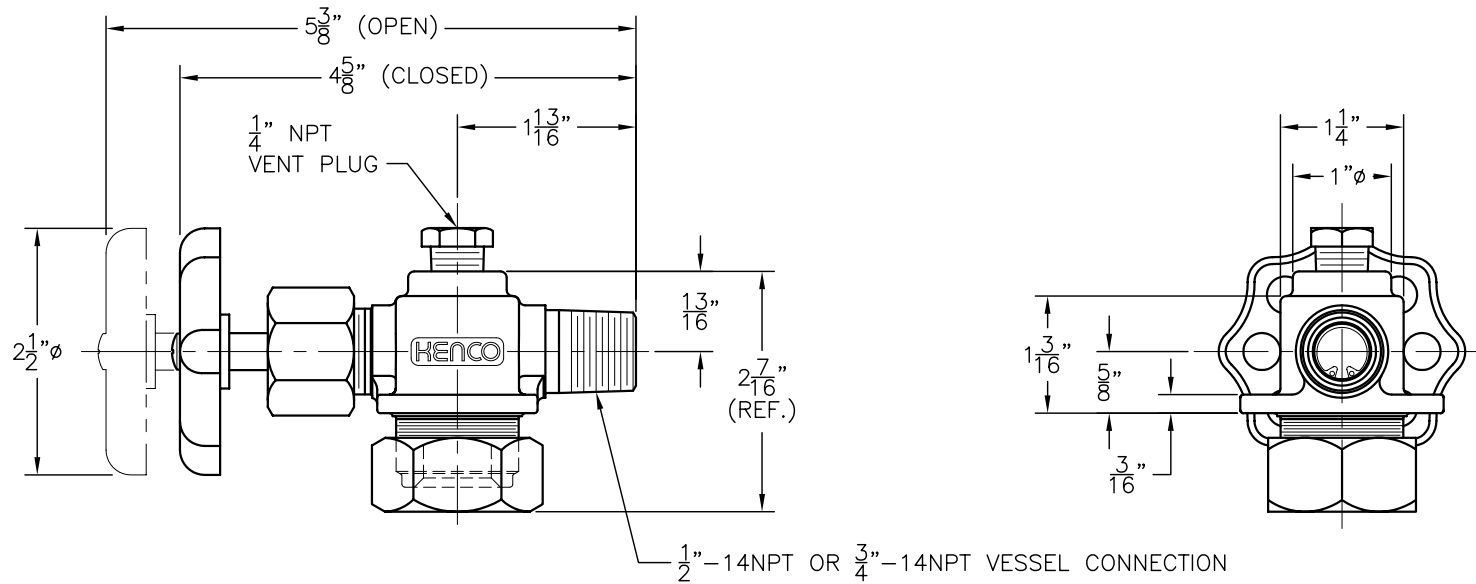
<b>KENCO ENGINEERING COMPANY</b> TULSA, OKLAHOMA			
VALVE, GAUGE GLASS (UPPER) WITH 3/4" GAUGE CONN., FLANGED VESSEL CONN. AND BALL CHECK SHUTOFF			
DATE: 12-18-06	SHEET: 1 OF 2	DRAWING NUMBER	
DRN. BY: DS	CHKD. BY: BC	C-51110	
SCALE: NONE	REVISION:	C-51118	



DRAWING NUMBER	GAUGE CONNECTION SIZE	VESSEL CONNECTION SIZE	VALVE BODY MATERIAL	VALVE STEM PACKING MATERIAL	GAUGE CONNECTION SEAL MATERIAL
C-22817-CS	5/8"φ	1/2" NPT	ZINC PLATED CARBON STEEL		AS
C-22817-SS	"	"	316 STAINLESS STEEL		SPECIFIED
C-22818-CS	3/4"φ	3/4" NPT	ZINC PLATED CARBON STEEL	PTFE	BY
C-22818-SS	"	"	316 STAINLESS STEEL		CUSTOMER

INFORMATION IS PROPRIETARY TO KENCO ENGINEERING CO.

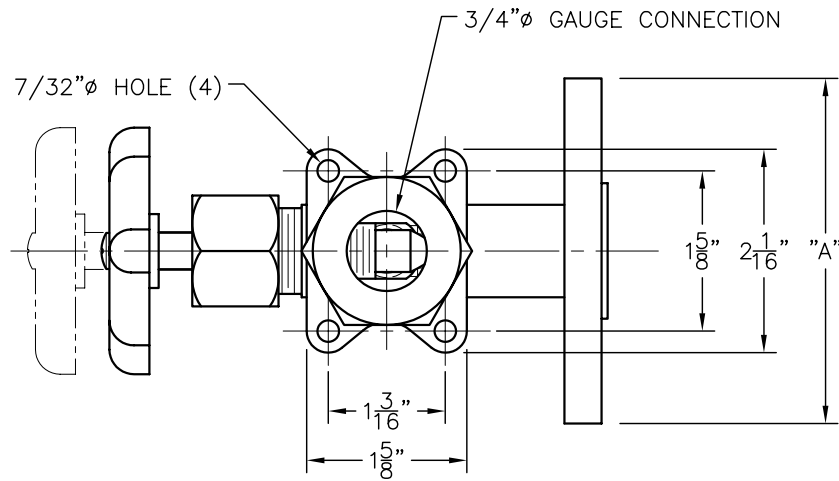
REV.	DATE	BY	ECN	EXPLANATION:	KENCO ENGINEERING COMPANY TULSA, OKLAHOMA
G	06-16-06	DS	N/A	UPDATED ITEM 1 TO REFLECT NEW CASTING MOLD; ITEM 1 P/N ON C-22817-CS/SS WAS B-22821-CS/SS; ITEM 1 P/N ON C-22818-CS/SS WAS B-22823-CS/SS; ADDED ITEMS 15 AND 16; 1"φ WAS 3/4"φ	
H	04-04-07	DS	N/A	CREATED SUBASSEMBLY FOR VALVE STEM	VALVE, GAUGE GLASS (LOWER)
				DATE: 08-04-94	SHEET: 1 OF 2
				DRN. BY: RB	CHKD. BY:
				SCALE: 1"=1"	REVISION: H
					DRAWING NUMBER C-22817 22818



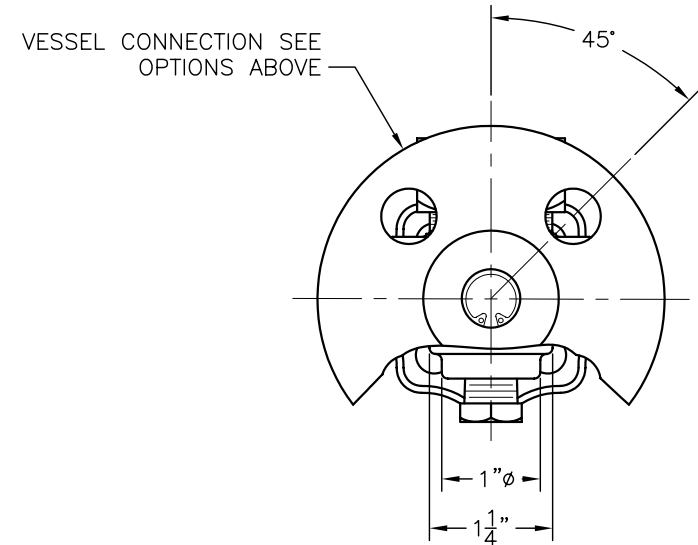
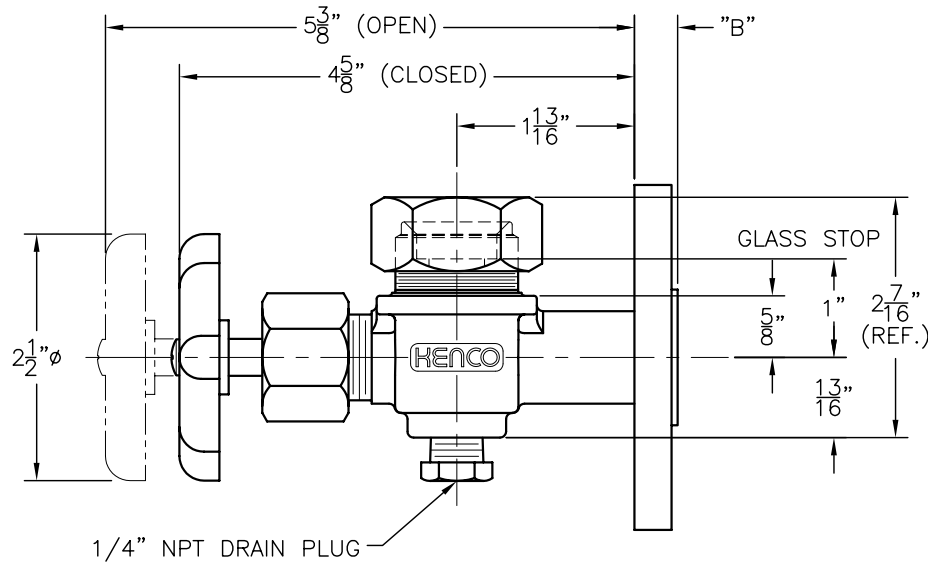
DRAWING NUMBER	GAUGE CONNECTION SIZE	VESSEL CONNECTION SIZE	VALVE BODY MATERIAL	VALVE STEM PACKING MATERIAL	GAUGE CONNECTION SEAL MATERIAL
C-22819-CS	5/8"φ	1/2" NPT	ZINC PLATED CARBON STEEL		AS
C-22819-SS	"	"	316 STAINLESS STEEL		SPECIFIED
C-22820-CS	3/4"φ	3/4" NPT	ZINC PLATED CARBON STEEL	PTFE	BY
C-22820-SS	"	"	316 STAINLESS STEEL		CUSTOMER

INFORMATION IS PROPRIETARY TO KENCO ENGINEERING CO.

REV.	DATE	BY	ECN	EXPLANATION:	KENCO ENGINEERING COMPANY TULSA, OKLAHOMA
G	06-16-06	DS	N/A	UPDATED ITEM 1 TO REFLECT NEW CASTING MOLD; ITEM 1 P/N ON C-22819-CS/SS WAS B-22822-CS/SS; ITEM 1 P/N ON C-22820-CS/SS WAS B-22824-CS/SS; ADDED ITEMS 15 AND 16; 1"φ WAS 3/4"φ	
H	04-04-07	DS	N/A	CREATED SUBASSEMBLY FOR VALVE STEM	VALVE, GAUGE GLASS (UPPER)
				DATE: 08-04-94	SHEET: 1 OF 2
				DRN. BY: RB	CHKD. BY:
				SCALE: 1"=1"	REVISION: H
				DRAWING NUMBER	C-22819
					22820



ASSEMBLY NUMBER	VESSEL CONNECTION FLANGE SIZE	"A"	"B"
C-51061	1/2" 150 LB. R.F.	3-1/2"	7/16"
C-51062	3/4" 150 LB. R.F.	3-7/8"	1/2"
C-51063	1" 150 LB. R.F.	4-1/4"	9/16"
C-51064	1-1/2" 150 LB. R.F.	5"	11/16"
C-51065	2" 150 LB. R.F.	6"	3/4"
C-51066	1/2" 300 LB. R.F.	3-3/4"	9/16"
C-51067	3/4" 300 LB. R.F.	4-5/8"	5/8"
C-51068	1" 300 LB. R.F.	4-7/8"	11/16"
C-51069	1-1/2" 300 LB. R.F.	6-1/8"	13/16"



VALVE BODY MATERIAL:  
 ADD SUFFIX "-CS" OR "-SS" TO ASSEMBLY NUMBER TO DESIGNATE MATERIALS OF CONSTRUCTION.

"-CS" (DESIGNATES ZINC PLATED CARBON STEEL)  
 "-SS" (DESIGNATES 316 STAINLESS STEEL)

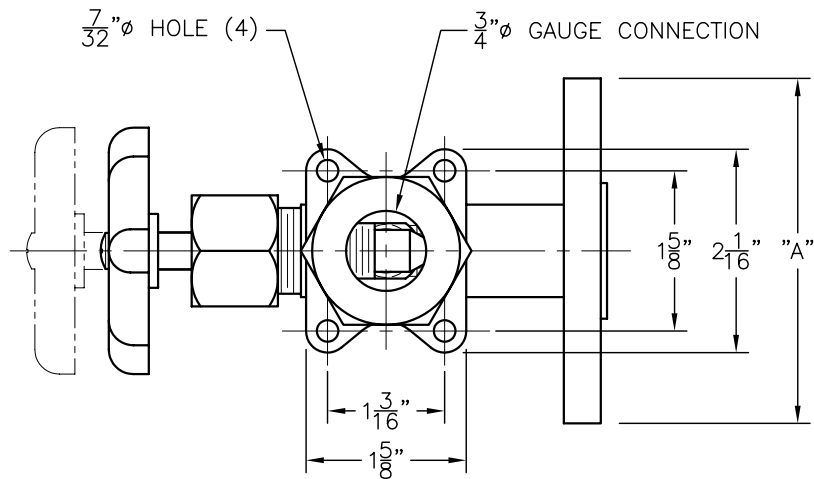
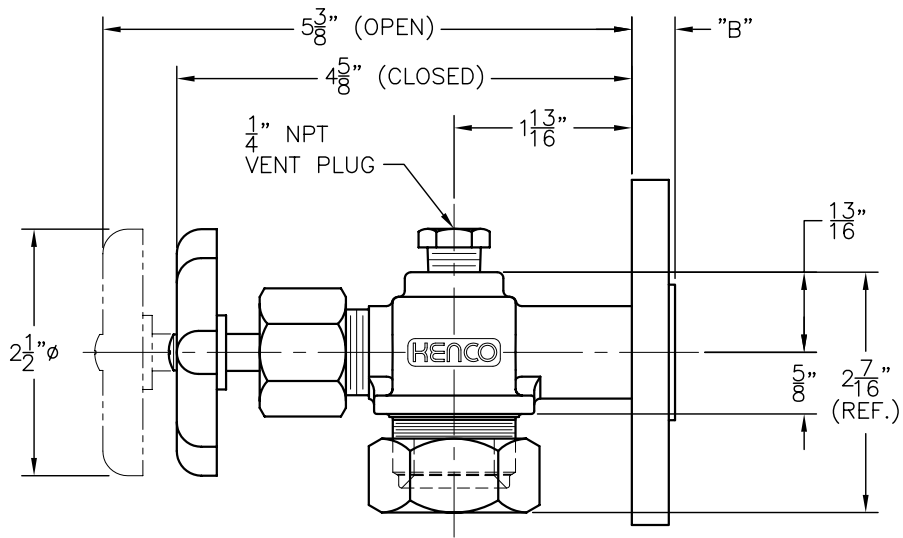
VALVE STEM PACKING MATERIAL: PTFE

GAUGE CONNECTION SEAL MATERIAL: SPECIFIED BY CUSTOMER

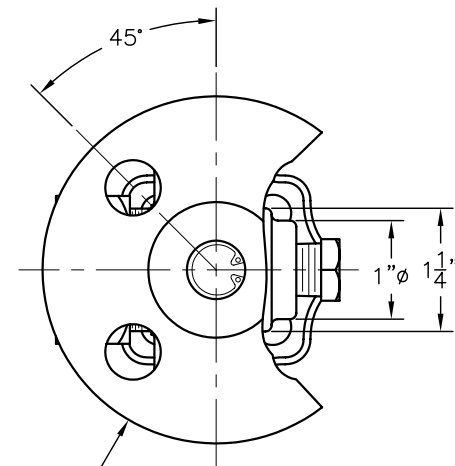
INFORMATION IS PROPRIETARY TO KENCO ENGINEERING CO.

REV.	DATE	BY	ECN	EXPLANATION:

<b>KENCO ENGINEERING COMPANY</b> TULSA, OKLAHOMA		
VALVE, GAUGE GLASS (LOWER) WITH 3/4" GAUGE CONN., FLANGED VESSEL CONN. AND BALL CHECK SHUTOFF		
DATE: 12-18-06	SHEET: 1 OF 2	DRAWING NUMBER
DRN. BY: DS	CHKD. BY: BC	C-51061
SCALE: NONE	REVISION:	51069



ASSEMBLY NUMBER	VESSEL CONNECTION FLANGE SIZE	"A"	"B"
C-51110	1/2" 150 LB. R.F.	3-1/2"	7/16"
C-51111	3/4" 150 LB. R.F.	3-7/8"	1/2"
C-51112	1" 150 LB. R.F.	4-1/4"	9/16"
C-51113	1-1/2" 150 LB. R.F.	5"	11/16"
C-51114	2" 150 LB. R.F.	6"	3/4"
C-51115	1/2" 300 LB. R.F.	3-3/4"	9/16"
C-51116	3/4" 300 LB. R.F.	4-5/8"	5/8"
C-51117	1" 300 LB. R.F.	4-7/8"	11/16"
C-51118	1-1/2" 300 LB. R.F.	6-1/8"	13/16"



VESSEL CONNECTION  
SEE OPTIONS ABOVE

VALVE BODY MATERIAL:  
ADD SUFFIX "-CS" OR "-SS" TO ASSEMBLY NUMBER TO DESIGNATE MATERIALS OF CONSTRUCTION.

"-CS" (DESIGNATES ZINC PLATED CARBON STEEL)  
"-SS" (DESIGNATES 316 STAINLESS STEEL)

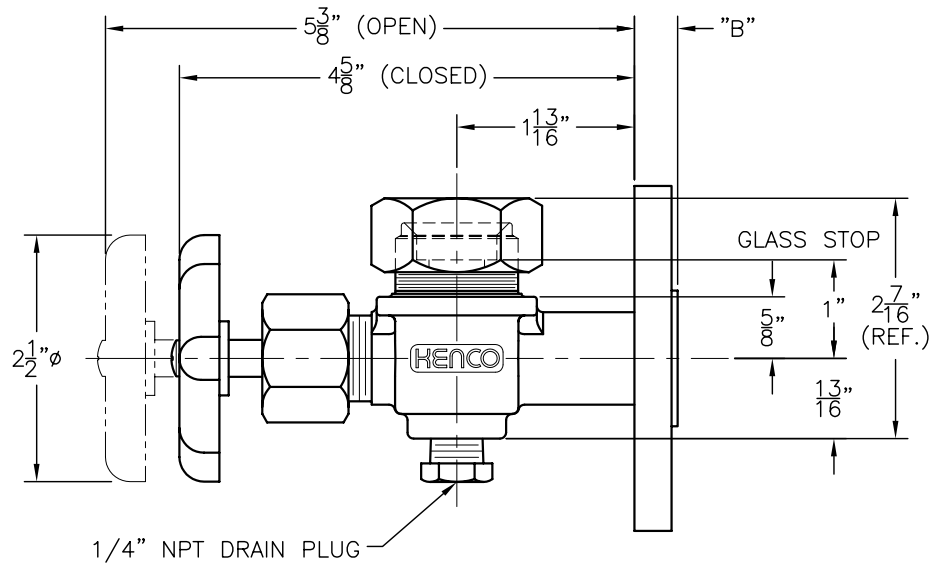
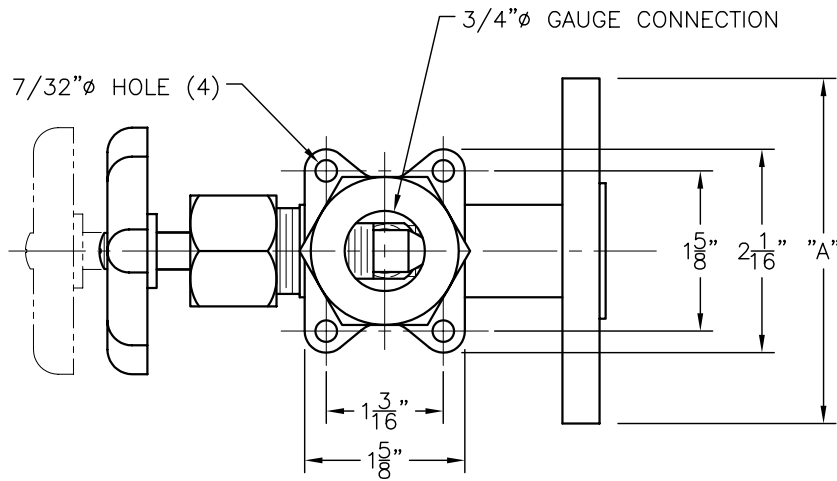
VALVE STEM PACKING MATERIAL: PTFE

GAUGE CONNECTION SEAL MATERIAL: SPECIFIED BY CUSTOMER

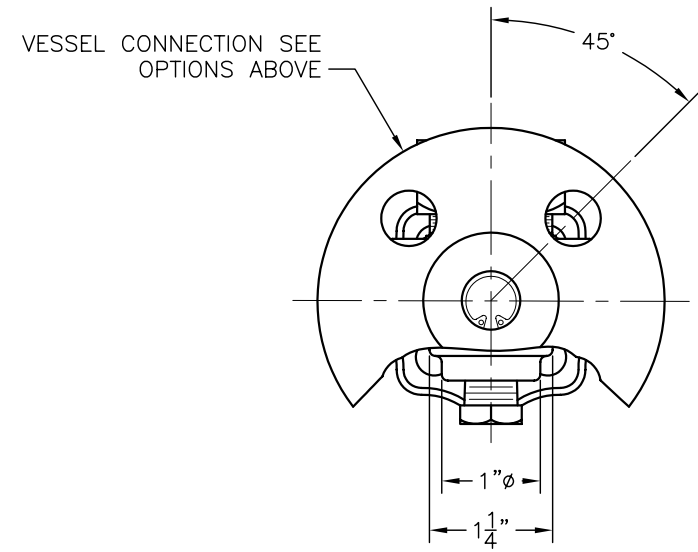
INFORMATION IS PROPRIETARY TO KENCO ENGINEERING CO.

REV.	DATE	BY	ECN	EXPLANATION:

<b>KENCO ENGINEERING COMPANY</b> TULSA, OKLAHOMA			
VALVE, GAUGE GLASS (UPPER) WITH 3/4" GAUGE CONN., FLANGED VESSEL CONN. AND BALL CHECK SHUTOFF			
DATE: 12-18-06	SHEET: 1 OF 2	DRAWING NUMBER	
DRN. BY: DS	CHKD. BY: BC	C-51110	
SCALE: NONE	REVISION:	51118	



ASSEMBLY NUMBER	VESSEL CONNECTION FLANGE SIZE	"A"	"B"
C-51061	1/2" 150 LB. R.F.	3-1/2"	7/16"
C-51062	3/4" 150 LB. R.F.	3-7/8"	1/2"
C-51063	1" 150 LB. R.F.	4-1/4"	9/16"
C-51064	1-1/2" 150 LB. R.F.	5"	11/16"
C-51065	2" 150 LB. R.F.	6"	3/4"
C-51066	1/2" 300 LB. R.F.	3-3/4"	9/16"
C-51067	3/4" 300 LB. R.F.	4-5/8"	5/8"
C-51068	1" 300 LB. R.F.	4-7/8"	11/16"
C-51069	1-1/2" 300 LB. R.F.	6-1/8"	13/16"



**VALVE BODY MATERIAL:**  
 ADD SUFFIX "-CS" OR "-SS" TO ASSEMBLY NUMBER TO DESIGNATE MATERIALS OF CONSTRUCTION.

"-CS" (DESIGNATES ZINC PLATED CARBON STEEL)  
 "-SS" (DESIGNATES 316 STAINLESS STEEL)

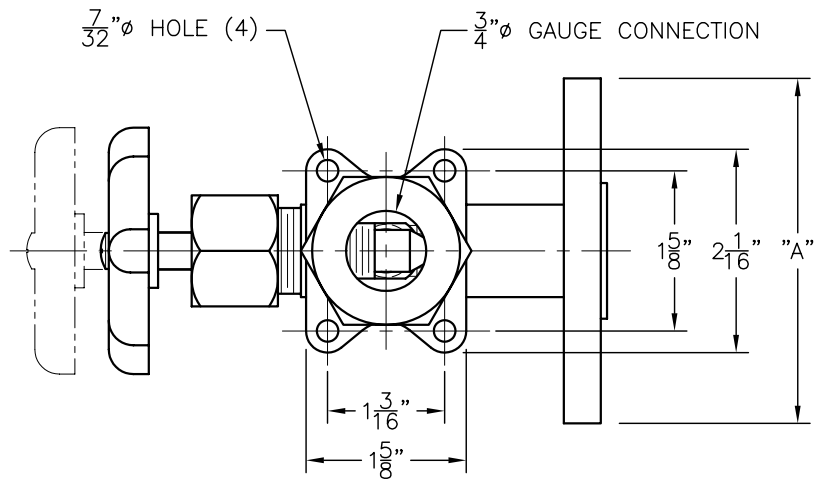
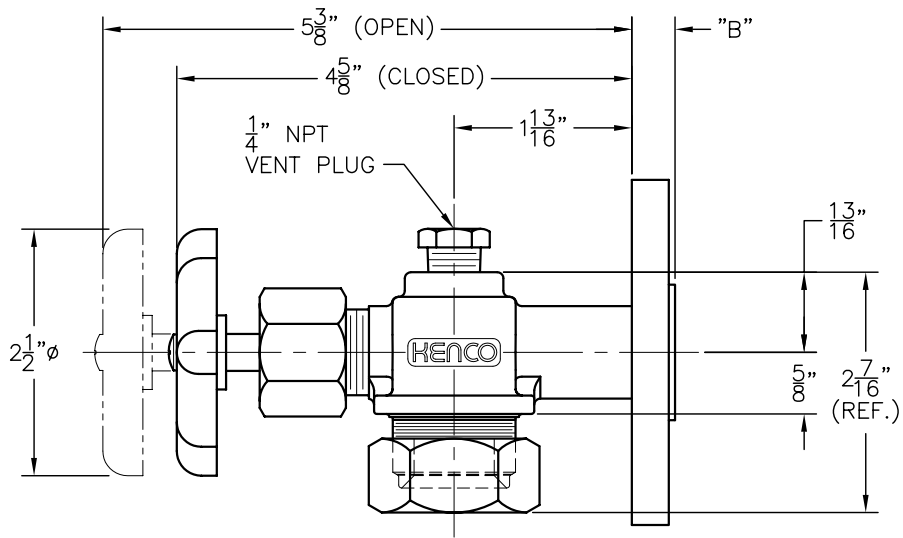
**VALVE STEM PACKING MATERIAL:** PTFE

**GAUGE CONNECTION SEAL MATERIAL:** SPECIFIED BY CUSTOMER

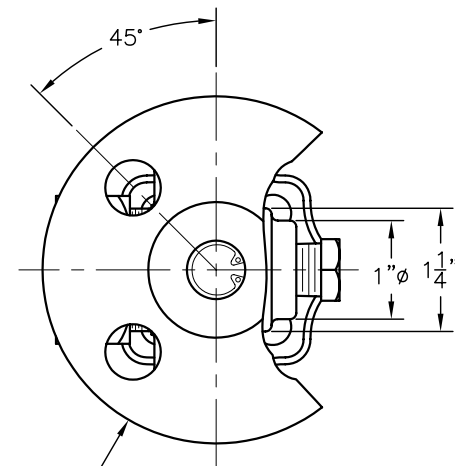
INFORMATION IS PROPRIETARY TO KENCO ENGINEERING CO.

REV.	DATE	BY	ECN	EXPLANATION:

**KENCO ENGINEERING COMPANY**  
 TULSA, OKLAHOMA  
 VALVE, GAUGE GLASS (LOWER) WITH 3/4" GAUGE CONN., FLANGED VESSEL CONN. AND BALL CHECK SHUTOFF  
 DATE: 12-18-06 SHEET: 1 OF 2 DRAWING NUMBER  
 DRN. BY: DS CHKD. BY: BC C-51061  
 SCALE: NONE REVISION: C-51069



ASSEMBLY NUMBER	VESSEL CONNECTION FLANGE SIZE	"A"	"B"
C-51110	1/2" 150 LB. R.F.	3-1/2"	7/16"
C-51111	3/4" 150 LB. R.F.	3-7/8"	1/2"
C-51112	1" 150 LB. R.F.	4-1/4"	9/16"
C-51113	1-1/2" 150 LB. R.F.	5"	11/16"
C-51114	2" 150 LB. R.F.	6"	3/4"
C-51115	1/2" 300 LB. R.F.	3-3/4"	9/16"
C-51116	3/4" 300 LB. R.F.	4-5/8"	5/8"
C-51117	1" 300 LB. R.F.	4-7/8"	11/16"
C-51118	1-1/2" 300 LB. R.F.	6-1/8"	13/16"



VESSEL CONNECTION  
SEE OPTIONS ABOVE

VALVE BODY MATERIAL:  
ADD SUFFIX "-CS" OR "-SS" TO ASSEMBLY NUMBER TO DESIGNATE MATERIALS OF CONSTRUCTION.

"-CS" (DESIGNATES ZINC PLATED CARBON STEEL)  
"-SS" (DESIGNATES 316 STAINLESS STEEL)

VALVE STEM PACKING MATERIAL: PTFE

GAUGE CONNECTION SEAL MATERIAL: SPECIFIED BY CUSTOMER

INFORMATION IS PROPRIETARY TO KENCO ENGINEERING CO.

REV.	DATE	BY	ECN	EXPLANATION:

<b>KENCO ENGINEERING COMPANY</b> TULSA, OKLAHOMA			
VALVE, GAUGE GLASS (UPPER) WITH 3/4" GAUGE CONN., FLANGED VESSEL CONN. AND BALL CHECK SHUTOFF			
DATE: 12-18-06	SHEET: 1 OF 2	DRAWING NUMBER	
DRN. BY: DS	CHKD. BY: BC	C-51110	
SCALE: NONE	REVISION:	51118	